



Catalog.

DIRENC PLASTIC®



“Innovative Direction to Your Water”



direncplastik.com

ABOUT US

DIRENC GROUP COMPANY innovates and produces superior quality **fasteners, plumbing kits and accessories** mainly for kitchen industry with its global awareness and long-term family values, **as a partner of the world's leading players.**

DIRENC continues its services with **2 facilities with autonomous production lines** and **1 R&D center with modern laboratories**, leveraging high technology and professional production techniques.

To support the new research and development initiatives within **INARTEN R&D**; communication is maintained with students and professors from various departments at universities **across Turkey and global**, aiming to assist in upcoming projects. Scholarships are provided to students sourced from these universities, offering them the opportunity to intern within our company. In this manner, contribution is made to **the development of personnel capable of adding value to our projects**. Furthermore, efforts are made to set a good example for **collaboration between the public and private sectors**.

DIRENC invests annually in **technology, machinery, and personnel at a rate equivalent to 13% of its total revenue generated over the years**. As a result of these efforts, **more than 95% of our production is exported to global industry leaders**.

Driven by our **long-term family values and global awareness**, we stand as trusted partners to most of the world's leading players in various industries. Our diverse product range is tailored to meet the stringent requirements of our clients, reflecting our **dedication to excellence in every aspect of our operations**.

Vision

Is to set the benchmark for excellence in every product and service we provide. We aspire to be the ultimate partner for our customers and consumers, continuously enhancing our R&D capabilities to drive innovation and ensure unparalleled quality in everything we do.

Mision

Is to diligently address our customers' needs through a comprehensive service portfolio. We provide technical support and foster ongoing collaboration in product development, innovation, and quality enhancement. Our commitment lies in striving for excellence while aiding our customers in expanding their businesses within their markets.

THE DIRENC ADVANTAGE

DIRENC
GROUP COMPANY

DIRENC
GROUP COMPANY

Milestones

The Past 42 Years

DIRENC GROUP has been a trailblazer in innovation and excellence, shaping a legacy that spans over four decades. It all started in 1982 with the inception of **Mekasan**, focusing on the production of topnotch gaskets and insulation materials.

In 2007, the emergence of **Direnc Metal** marked a pivotal moment for the group. Specializing in crafting clips and fasteners customized for kitchen sinks.

Direnc Metal swiftly became synonymous with precision and functionality, solidifying its position as a leader in the industry. The year 2016 witnessed another milestone with the introduction of Direnc Plastik, broadening the group's capabilities to include the production of waste kits and traps tailored for modern kitchens, effectively meeting the evolving market demands while maintaining a commitment to groundbreaking innovation.

As the group continued its ascent, 2018 saw a strategic expansion, with production sites expanding to an impressive 10,000 square meters. Introduction of new production lines further enhanced capabilities, ensuring **Direnc Group's stronghold as an industry leader.**

In 2018, **INARTEN R&D** was established at Yildiz Technical University Technopark to meet the design and innovation needs in the industry. During the establishment phase, Yildiz Technical University Technopark received over 2,000 applications from new start-ups. **INARTEN R&D distinguished itself by ranking in the top 3 with its designs and projects, earning permission to establish a company within the Technopark and invitation letter from Silicon Valley.**

From 2018 to 2023, the group reached a pinnacle with the attainment of over 10 patented products and designs, a testament to its unwavering commitment to excellence and innovation in the industry with the help of a strong team in **Inarten R&D.**

With a legacy built over the past 42 years, DIRENC GROUP has **continuously stood at the forefront of innovation and excellence.** From the establishment of Mekasan in 1982 to the emergence of Direnc Metal, Direnc Plastik and Inarten R&D, the group has **consistently demonstrated its dedication to delivering high-quality products tailored to meet the ever-changing needs of the market.**

1982

Birth of MEKASAN with the aim to produce gaskets and insulation materials.

2007

Creation of Direnc Metal brand which produces clips and fasteners for kitchen sinks.



2016

Creation of Direnc Plastik brand which produces waste kits and traps for kitchen sinks



2017

First international patent application.

2018

Expansion of production sites total about 10,000 square meters with new production lines.

2019

Creation of Inarten R&D center in modern university facilities and Silicon Valley Office.



2021

+25 patented products and designs.

2023

Gathering under DIRENC GROUP COMPANY by combining joint interests of Direnc Metal, Direnc Plastik and Inarten R&D.

Timeless Quality

Shaping The Future



- 29 metal press and forming lines
- Over 1.000.000.000 metal forming parts production capacity
- Presses from 5 tons to 600 tons
- +150 different designs for kitchen & bath sink clips
- Special parts for automotive and industrial needs
- Automated assembly lines
- 65 employees



- +70 molds for metal parts of waste kits
- +400 different plastic molds for sink waste kits and traps
- 24 plastic injection machinery lines from 60 tons to 400 tons
- Automated packing lines
- 55 employees



- +25 patented products and designs
- International tool designs and production
- CAD & simulation technologies
- Located at one of the best technical university in Istanbul
- Modern laboratory and equipments
- Top-class professional academic supporters

Our

Certificates



ISO 9001:2015

Quality Management System



ISO 14001:2015

Environmental Management System



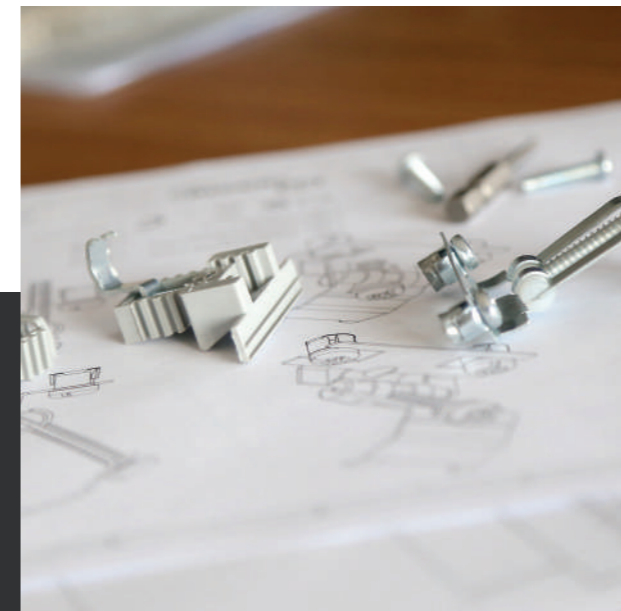
ISO 45001:2018

Safety Management System



ISO 50001:2018

Energy Management System



Direnc has its brand value from

Company Culture

Quality and Competence

Optimization in World Resources

R&D And Innovation

With over 40 years of experience, DIRENC confidently offers tailored solutions to customers' needs. Our skilled engineers assess initial component designs and can create handmade prototype samples for customer evaluation when necessary.

Utilizing robust 3D CAD design software, prototyping tools, and proficient staff, we develop innovative products that meet customers' functional requirements.

DIRENC's R&D division prioritizes scientific studies and quality principles, aiming to:

- **Minimize quality issues**
- **Provide prompt feedback on problems**
- **Achieve world-class production standards**
- **Enhance existing products**
- **Develop innovative solutions to meet customer needs**



+25 patented products and registered designs

DIRENC is committed to sustainable growth and endeavors to influence future technologies. The role of INARTEN R&D is to prepare DIRENC for the future.

Throughout our R&D endeavors, we prioritize flexibility, solution-oriented approaches, participation, sustainability, ethical values, fostering teamwork, and valuing human capital.



Tool Manufacture & Molding

Innovation
Molded,
Excellence
Defined:
Tools that
Shape
Tomorrow.



Our tool manufacture & molding division stands as the epitome of quality and innovation, shaping tomorrow with excellence. With in-house capabilities for both molding and maintenance processes, we ensure precision at every stage. Our Research and Development team designs molds tailored to perfection, while also providing routine and specialized maintenance for equipment.

Steel Processing



+230 molds for metal parts



29 metal press and forming lines



Over 1.000.000.000 Metal forming parts production capacity



Presses from 5 tons to 600 tons



“Innovative shapes for steel”

Our in-house production capabilities include molding and punching presses, facilitating the manufacturing of all critical components for the final product. We handle processes such as blanking, drawing, coining, and stamping of metal components. DIRENC operates an internal workshop for both routine and exceptional maintenance of all equipment, including molds designed by our R&D department.

Mastery in Plastic Molding



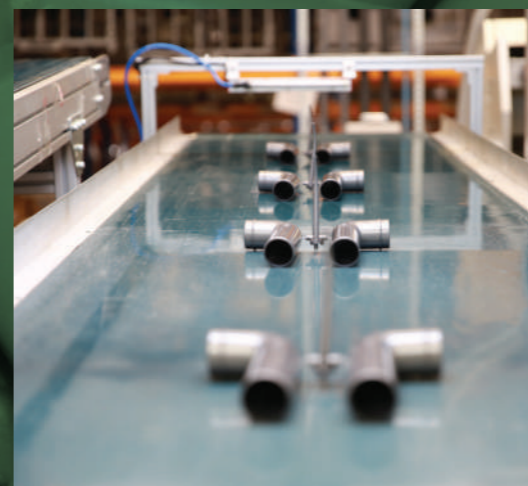
+480 molds for plastic parts



24 plastic injection machinery lines



Machineries from 60 tons to 400 tons



“Innovative direction to your water”

DIRENC possesses extensive expertise and a diverse array of technologically advanced presses for plastic molding.

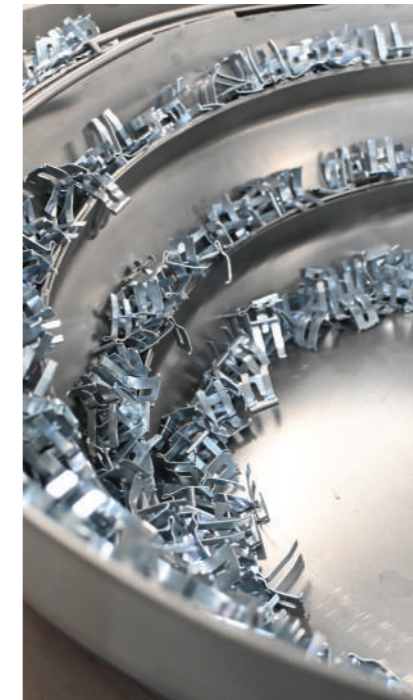
Utilizing modern techniques and specialized personnel, we consistently produce durable, high-quality plastic products. Our production process is automated and monitored by our quality control department to ensure precision and efficiency.

We exclusively source top-quality plastics from European countries to guarantee the excellence of our materials.

Assembly & Packaging

Nine automatic and semi-automatic assembly and packaging lines are equipped with high-precision scales to ensure the quality of products.

All components needed for production are stored in our warehouses and pre-assembled according to specifications detailed in the customer's order. Labels and installation instructions can be created for customers according to needs.



3½ WASTE BOWLS COLLECTION

DuoDrain



26-27

CoreFlow



28-29

AquaDrop



30-31

PolyGuard



32-33

QuickDrain



34-35

ColorMetal



36-37

POP-UP WASTE COLLECTION

Pop-up Waste with Turn-Control



38-41

Pop-up Waste with Push Button



39-43

1½ WASTE BOWLS COLLECTION



44-46



47

ACCESSORIES



58-67

TRAPS

U-Eco Trap



48-49

Self Cleaning U Trap



50

Bottle Trap



51

Compressible Hose



52-53

Telescopic Trap



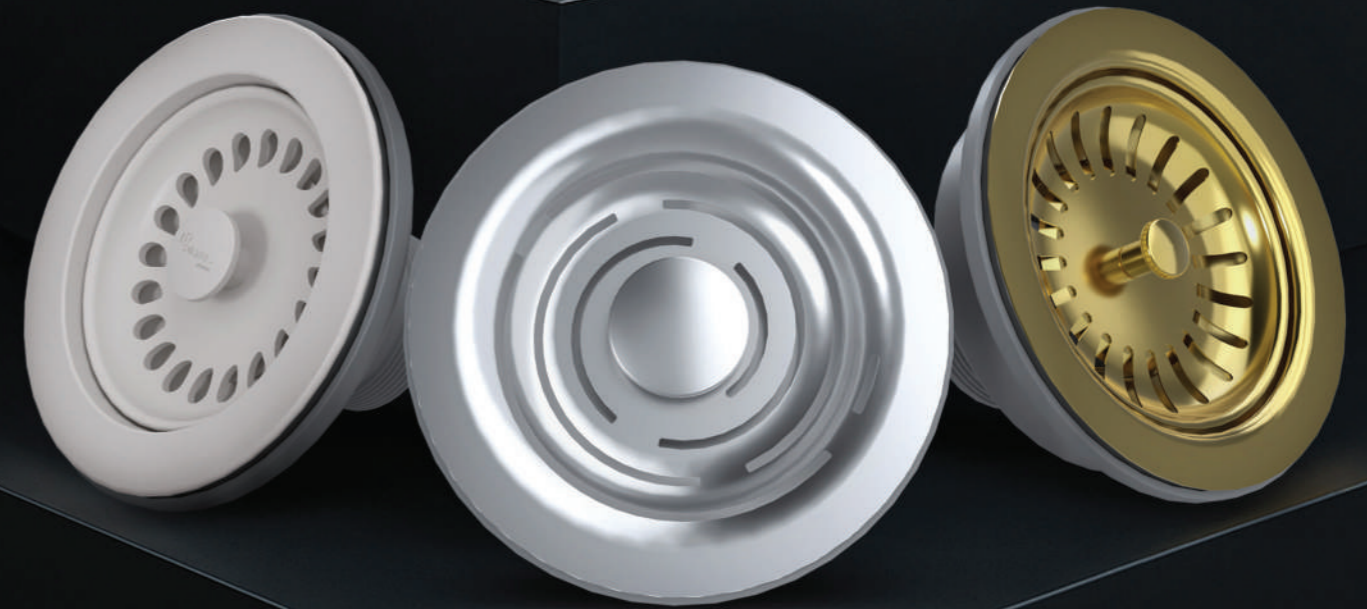
54-55

Telescopic Quickmount

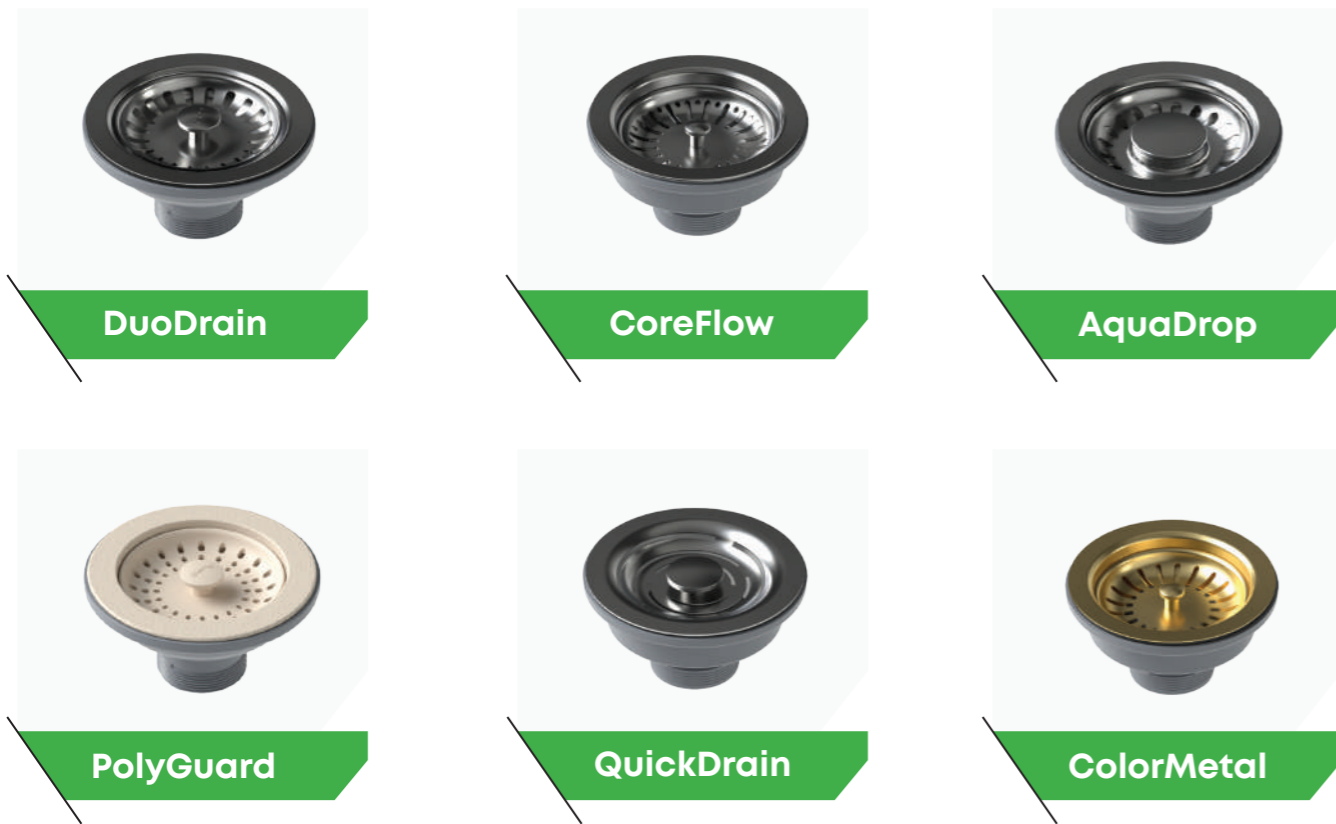


56-57

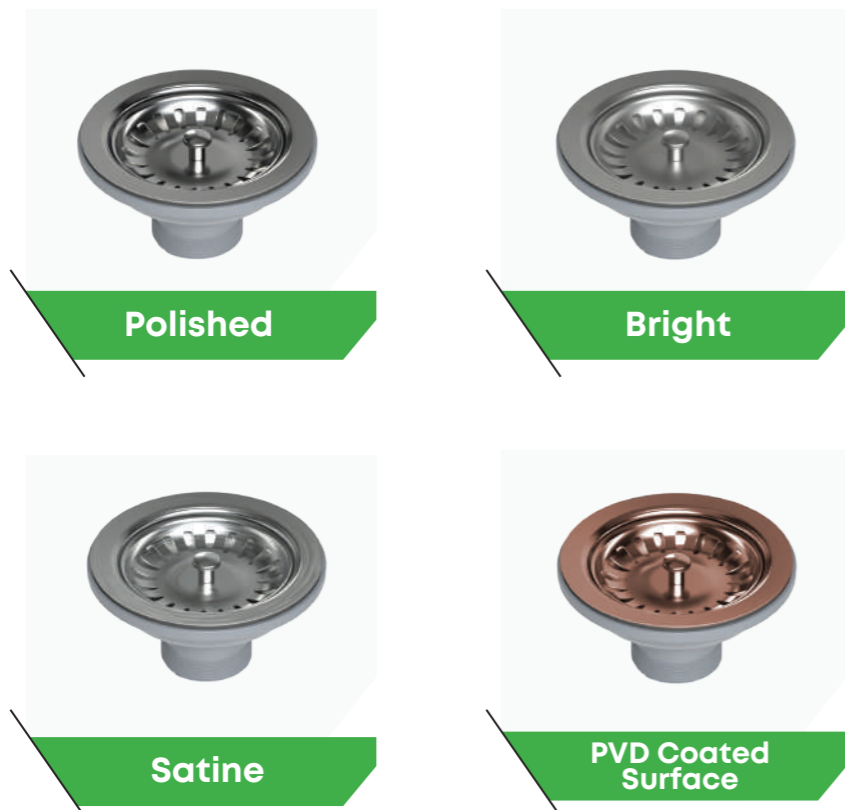
3 1/2" WASTE BOWLS COLLECTIONS



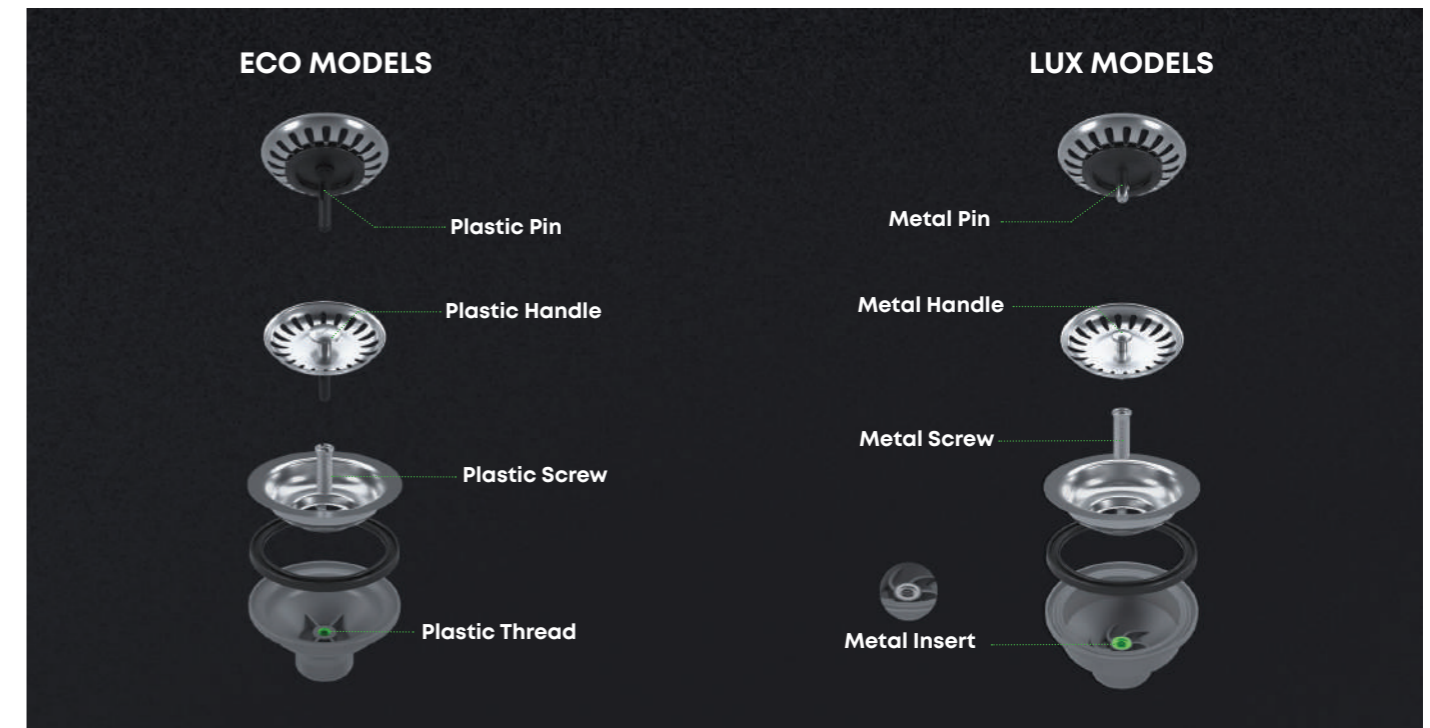
3 1/2" WASTE BOWLS COLLECTIONS



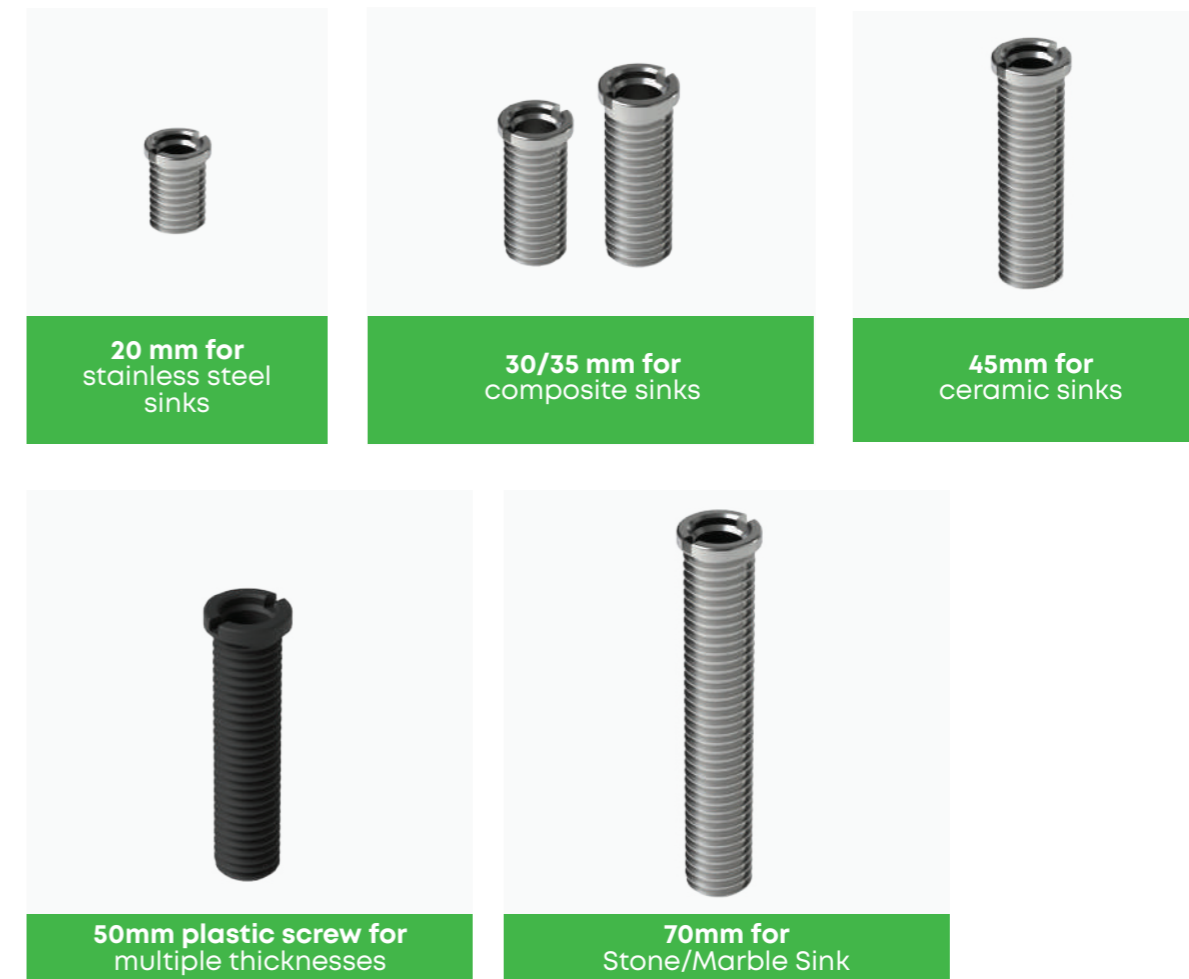
FINISHES



3 1/2" WASTE BOWLS



FIXING BOLTS



OVERFLOW TYPES

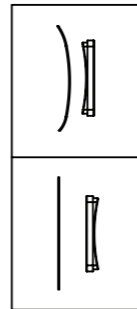
SPIRAL



COMPRESSIBLE



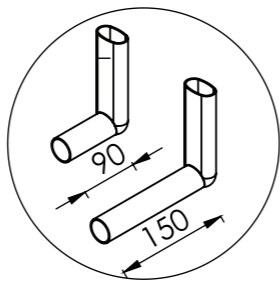
DIMENSIONS VERSIONS
SUITABLE FOR FLAT AND ROUND EDGE SINKS



RIGID



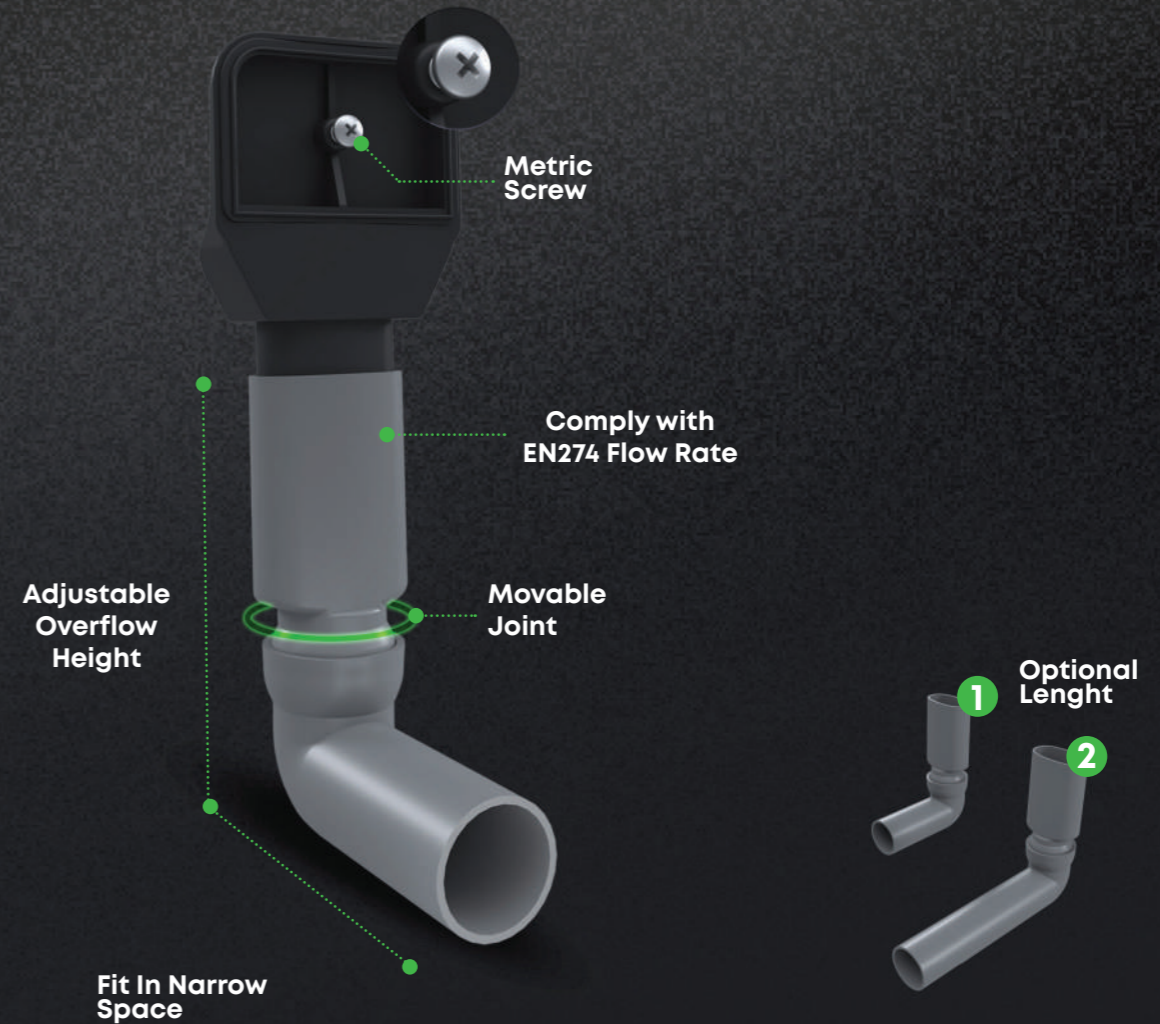
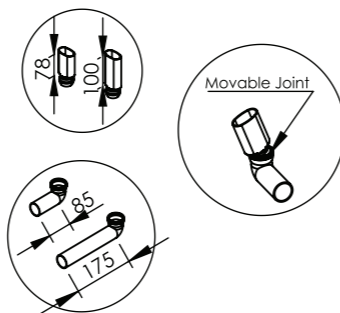
DIMENSIONS VERSIONS



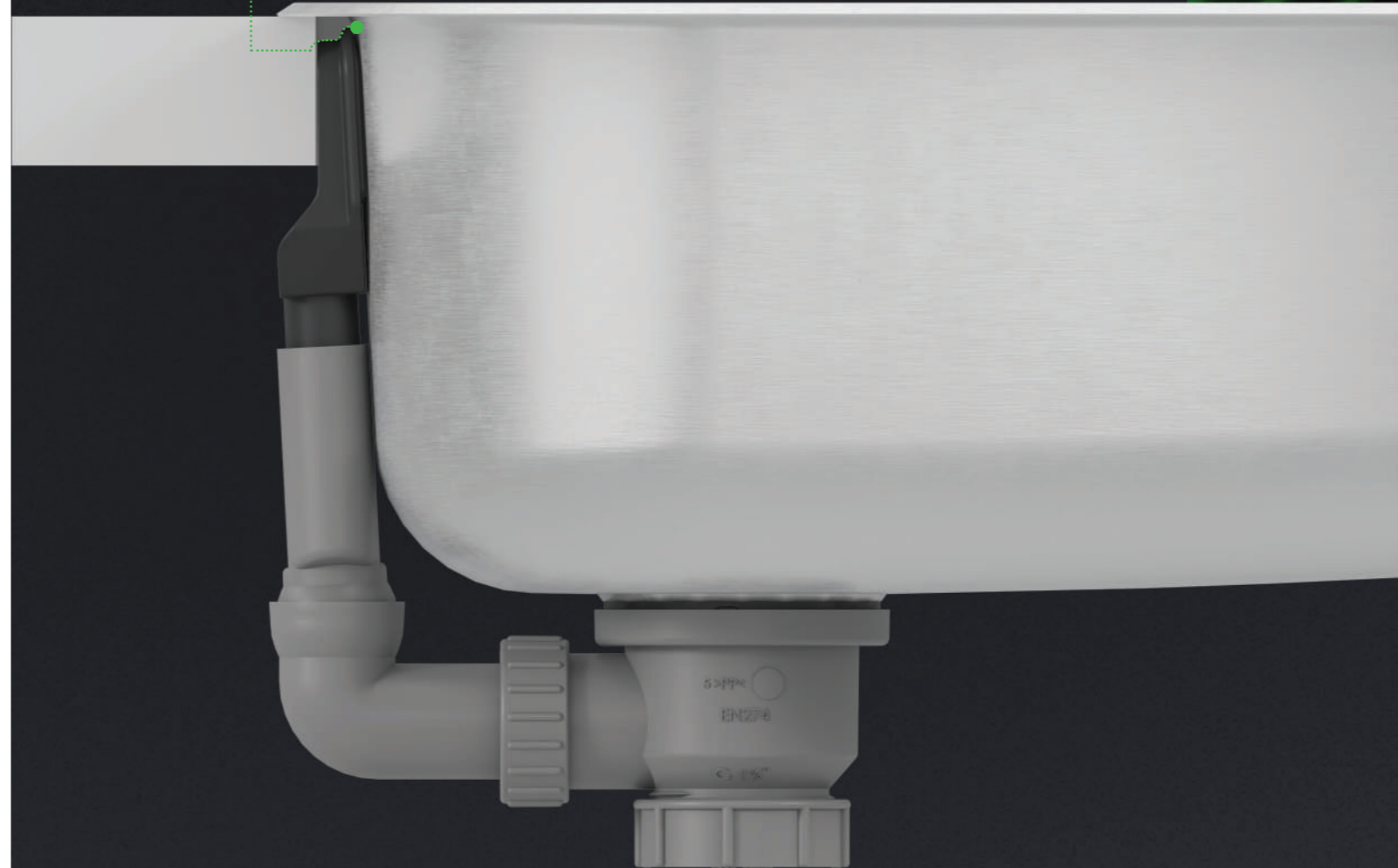
BALL JOINTED



DIMENSIONS VERSIONS



THIN OVERFLOW



DUODRAIN



3 1/2 BASKET WASTES FOR Ø90 HOLE IN THE SINK

To be used on: Stainless steel, composite and ceramic sinks
Plastic employed: PP, TPE and rubber
Metals employed: AISI 304 Stainless steel, nickelled brass

Code	Master Carton Dims (cm)	PCS/Box	PCS/Pallet
DD	38x57x34	100	2400



3 1/2 BASKET WASTES WITH SPIRAL

3 1/2 Basket wastes with round overflow
To be used on: Stainless steel, composite and ceramic sinks
Plastic employed: PP, TPE and rubber
Metals employed: AISI 304 Stainless steel, nickelled brass

Code	Master Carton Dims (cm)	PCS/Box	PCS/Pallet
DD-RN-01	38x57x34	70	1680



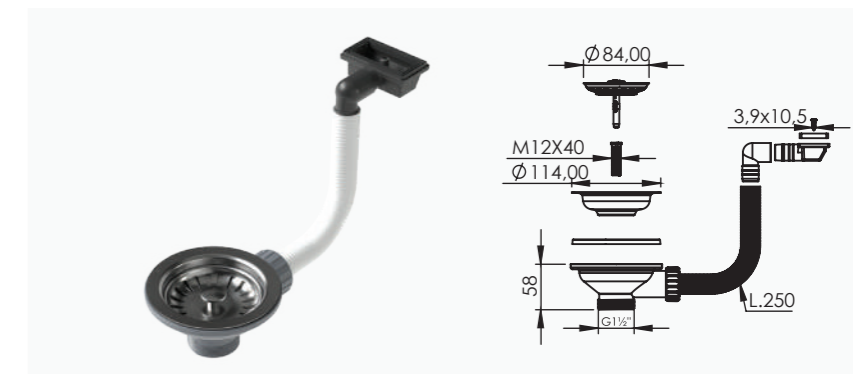
3 1/2 Basket wastes with rectangular overflow
To be used on: Stainless steel, composite and ceramic sinks
Plastic employed: PP, TPE and rubber
Metals employed: AISI 304 Stainless steel, nickelled brass

Code	Master Carton Dims (cm)	PCS/Box	PCS/Pallet
DD-RT-01	38x57x34	70	1680



3 1/2 Basket wastes with rectangular overflow from drain/sidewall
To be used on: Stainless steel, composite and ceramic sinks
Plastic employed: PP, TPE and rubber
Metals employed: AISI 304 Stainless steel, nickelled brass

Code	Master Carton Dims (cm)	PCS/Box	PCS/Pallet
DD-RT-02	38x57x34	70	1680



3 1/2 Basket wastes with overflow from the drain
To be used on: Stainless steel, composite and ceramic sinks
Plastic employed: PP, TPE and rubber
Metals employed: AISI 304 Stainless steel, nickelled brass

Code	Master Carton Dims (cm)	PCS/Box	PCS/Pallet
DD-RT-03	38x57x34	70	1680



COREFLOW



3½ BASKET WASTES FOR Ø90 HOLE IN THE SINK

To be used on: Stainless steel, composite and ceramic sinks
Plastic employed: PP, TPE and rubber
Metals employed: AISI 304 Stainless steel, nickelled brass

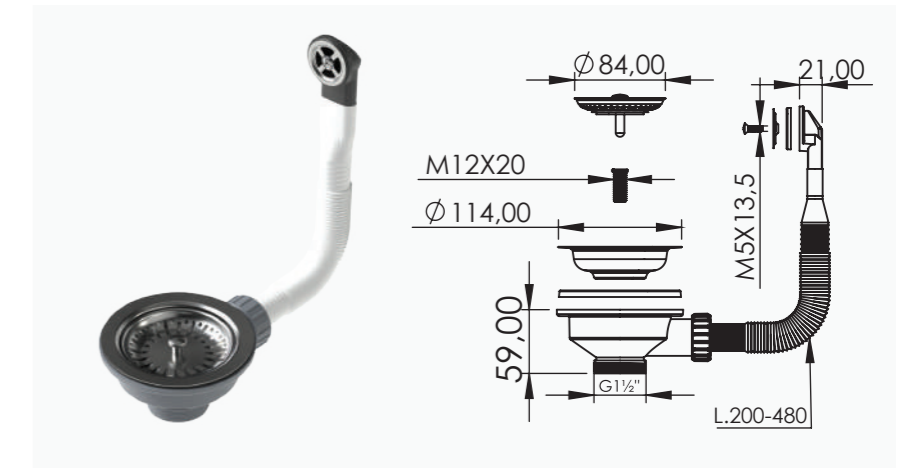
Code	Master Carton Dims (cm)	PCS/Box	PCS/Pallet
CF	38x57x34	100	2400



3½ BASKET WASTES WITH COMPRESSIBLE OVERFLOW

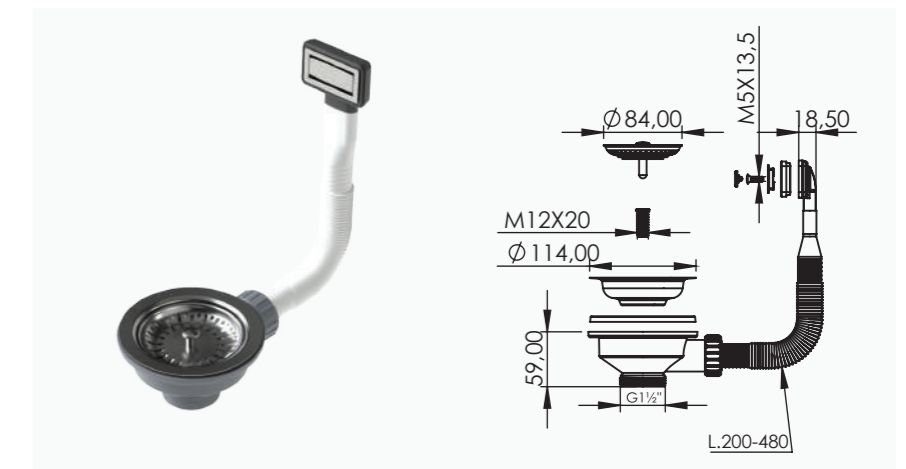
3½ Basket wastes with round overflow
To be used on: Stainless steel, composite and ceramic sinks
Plastic employed: PP, TPE and rubber
Metals employed: AISI 304 Stainless steel, nickelled brass

Code	Master Carton Dims (cm)	PCS/Box	PCS/Pallet
CF-RN-01	38x57x34	70	1680



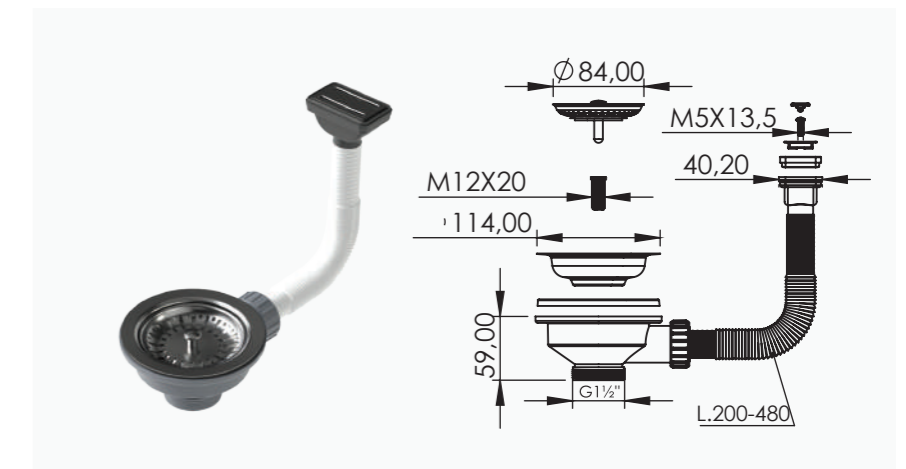
3½ Basket wastes with rectangular overflow
To be used on: Stainless steel, composite and ceramic sinks
Plastic employed: PP, TPE and rubber
Metals employed: AISI 304 Stainless steel, nickelled brass

Code	Master Carton Dims (cm)	PCS/Box	PCS/Pallet
CF-RT-01	38x57x34	70	1680



3½ Basket wastes with rectangular overflow from drain
To be used on: Stainless steel, composite and ceramic sinks
Plastic employed: PP, TPE and rubber
Metals employed: AISI 304 Stainless steel, nickelled brass

Code	Master Carton Dims (cm)	PCS/Box	PCS/Pallet
CF-RT-02	38x57x34	70	1680



AQUADROP



3 1/2 BASKET WASTES FOR Ø90 HOLE IN THE SINK

To be used on: Stainless steel, composite and ceramic sinks
Plastic employed: PP, TPE and rubber
Metals employed: AISI 304 Stainless steel, nickelled brass

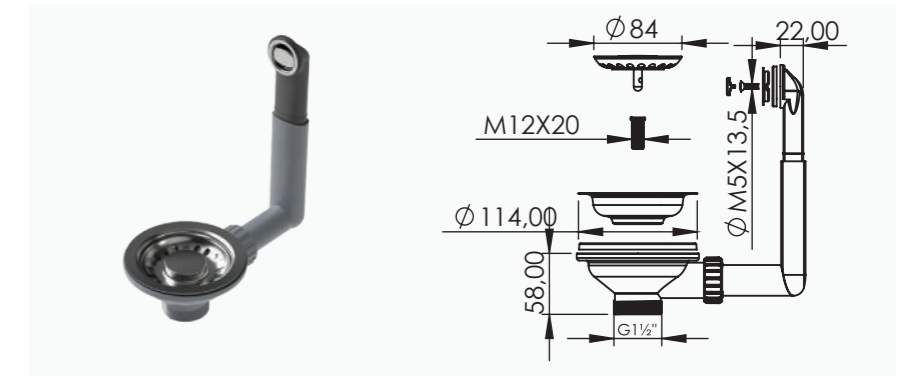
Code	Master Carton Dims (cm)	PCS/ Box	PCS/ Pallet
AD	38x57x34	100	2400



3 1/2 BASKET WASTES WITH RIGID OVERFLOW

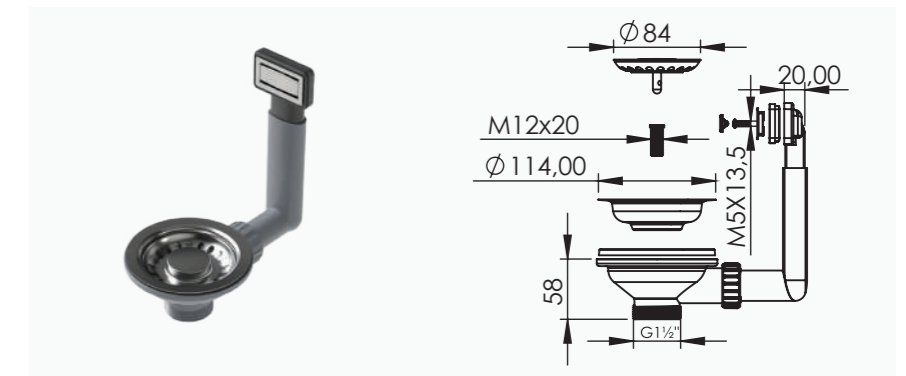
3 1/2 Basket wastes with round overflow
To be used on: Stainless steel, composite and ceramic sinks
Plastic employed: PP, TPE and rubber
Metals employed: AISI 304 Stainless steel, nickelled brass

Code	Master Carton Dims (cm)	PCS/ Box	PCS/ Pallet
AD-RN-01	38x57x34	50	1200



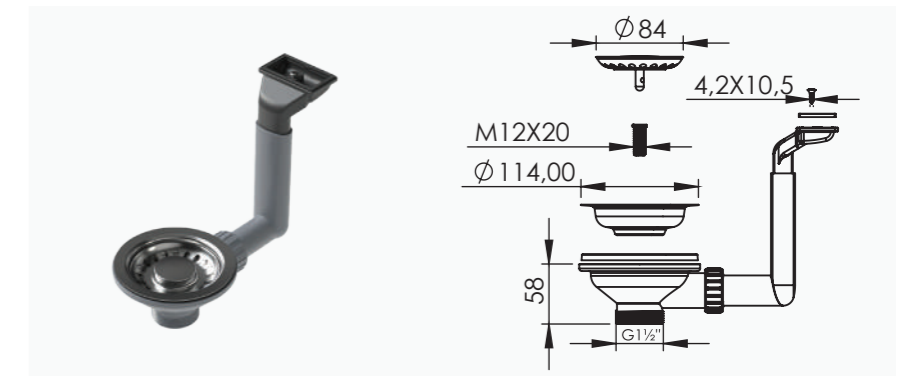
3 1/2 Basket wastes with rectangular overflow
To be used on: Stainless steel, composite and ceramic sinks
Plastic employed: PP, TPE and rubber
Metals employed: AISI 304 Stainless steel, nickelled brass

Code	Master Carton Dims (cm)	PCS/ Box	PCS/ Pallet
AD-RN-01	38x57x34	50	1200



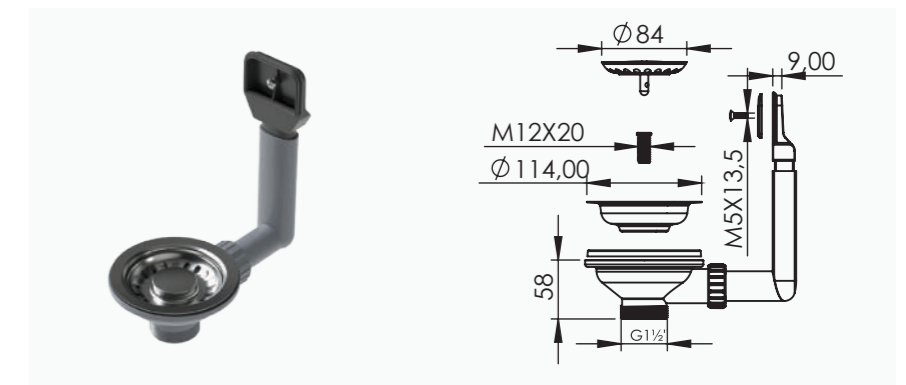
3 1/2 Basket wastes with rectangular overflow
To be used on: Stainless steel, composite and ceramic sinks
Plastic employed: PP, TPE and rubber
Metals employed: AISI 304 Stainless steel, nickelled brass

Code	Master Carton Dims (cm)	PCS/ Box	PCS/ Pallet
AD-RN-01	38x57x34	50	1200



3 1/2 Basket wastes with rectangular thin overflow
To be used on: Stainless steel, composite and ceramic sinks
Plastic employed: PP, TPE and rubber
Metals employed: AISI 304 Stainless steel, nickelled brass

Code	Master Carton Dims (cm)	PCS/ Box	PCS/ Pallet
AD-RTN	38x57x34	50	1200



POLYGUARD

Eco Friendly

Durable Engineering Plastic

Wide Range of Color Options

100% Recyclable

3 1/2 BASKET WASTES FOR Ø90 HOLE IN THE SINK

WHITE

BLACK

Ø82

Ø114

M12X40

58

G1 1/2

To be used on: Stainless steel, composite and ceramic sinks
Plastic employed: PP, TPE and rubber
Metals employed: AISI 304 Stainless steel, nickelled brass

Code	Master Carton Dims (cm)	PCS/ Box	PCS/ Pallet
PGW	38x57x34	100	2400
PGB	38x57x34	100	2400

3 1/2 BASKET WASTES WITH SPIRAL OVERFLOW

Ø82

Ø114

M12X40

58

M5X13,5

21,00

L.200-480

G1 1/2

3 1/2 Basket wastes with round overflow
To be used on: Stainless steel, composite and ceramic sinks
Plastic employed: PP, TPE and rubber
Metals employed: AISI 304 Stainless steel, nickelled brass

Code	Master Carton Dims (cm)	PCS/ Box	PCS/ Pallet
PGW-RN-01	38x57x34	70	1680
PGB-RN-01	38x57x34	70	1680

Ø82

Ø114

M12X40

58

M5X13,5

18,50

L.200-480

G1 1/2

3 1/2 Basket wastes with rectangular overflow
To be used on: Stainless steel, composite and ceramic sinks
Plastic employed: PP, TPE and rubber
Metals employed: AISI 304 Stainless steel, nickelled brass

Code	Master Carton Dims (cm)	PCS/ Box	PCS/ Pallet
PGW-RT-01	38x57x34	70	1680
PGB-RT-01	38x57x34	70	1680

Ø82

Ø114

M12X40

58

M5X13,5

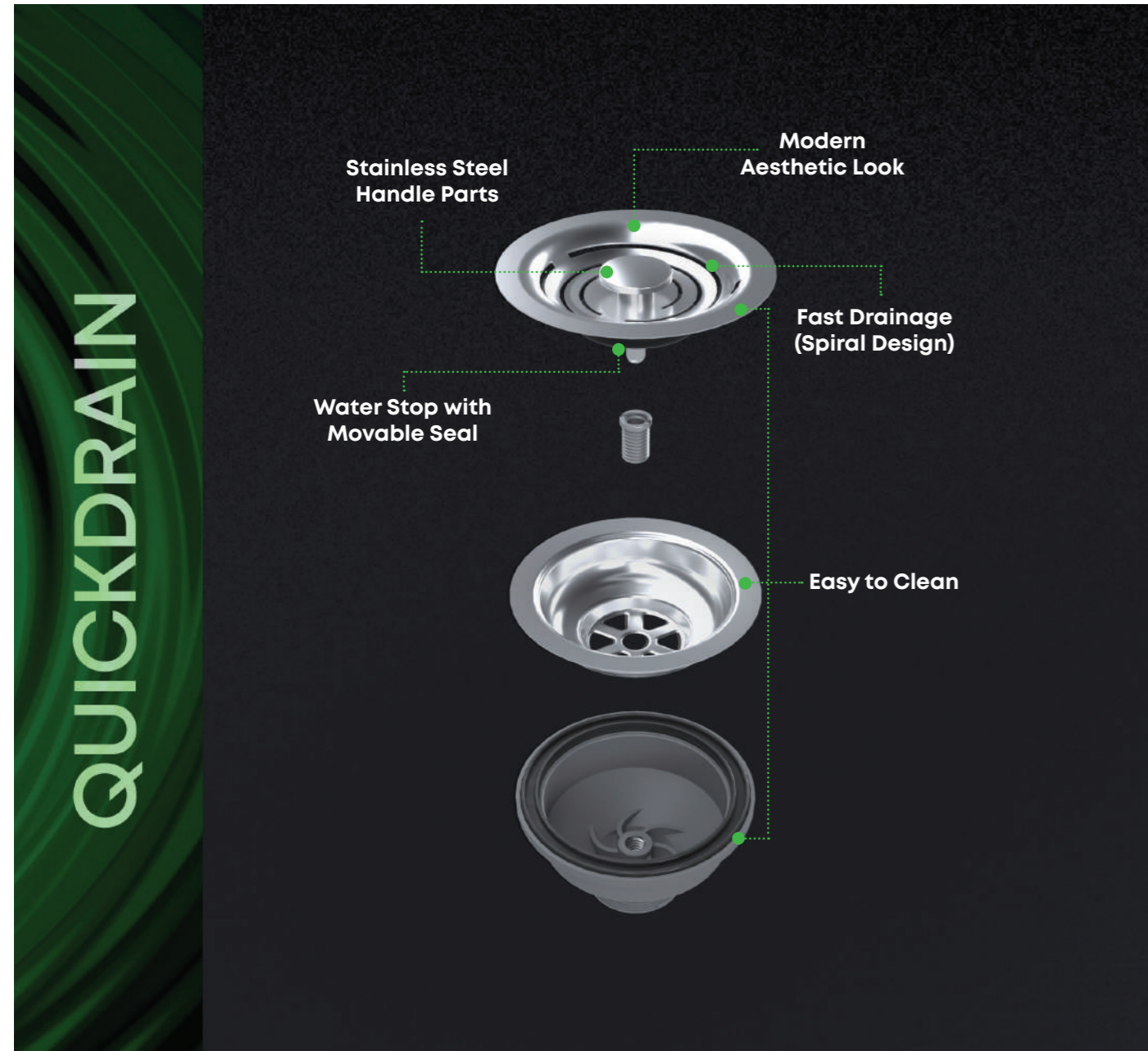
L.200-480

G1 1/2

3 1/2 Basket wastes with rectangular overflow from the drain
To be used on: Stainless steel, composite and ceramic sinks
Plastic employed: PP, TPE and rubber
Metals employed: AISI 304 Stainless steel, nickelled brass

Code	Master Carton Dims (cm)	PCS/ Box	PCS/ Pallet
PGW-RT-02	38x57x34	70	1680
PGB-RT-02	38x57x34	70	1680

QUICKDRAIN



3 1/2 BASKET WASTES FOR Ø90 HOLE IN THE SINK

To be used on: Stainless steel, composite and ceramic sinks
Plastic employed: PP, TPE and rubber
Metals employed: AISI 304 Stainless steel, nickelled brass

Code	Master Carton Dims (cm)	PCS/Box	PCS/Pallet
QD	38x57x34	100	2400



3 1/2 BASKET WASTES WITH BALL-JOINTED OVERFLOW

3 1/2 Basket wastes with round overflow
To be used on: Stainless steel, composite and ceramic sinks
Plastic employed: PP, TPE and rubber
Metals employed: AISI 304 Stainless steel, nickelled brass

Code	Master Carton Dims (cm)	PCS/Box	PCS/Pallet
QD-RN-01	38x57x34	50	1200



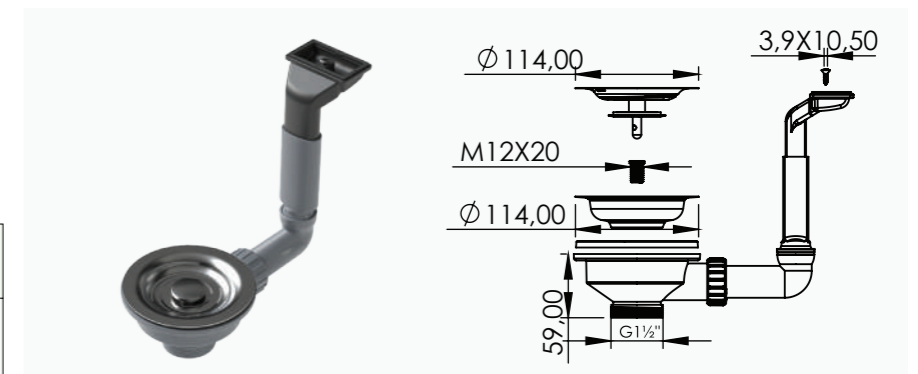
3 1/2 Basket wastes with rectangular overflow
To be used on: Stainless steel, composite and ceramic sinks
Plastic employed: PP, TPE and rubber
Metals employed: AISI 304 Stainless steel, nickelled brass

Code	Master Carton Dims (cm)	PCS/Box	PCS/Pallet
QD-RT-01	38x57x34	50	1200



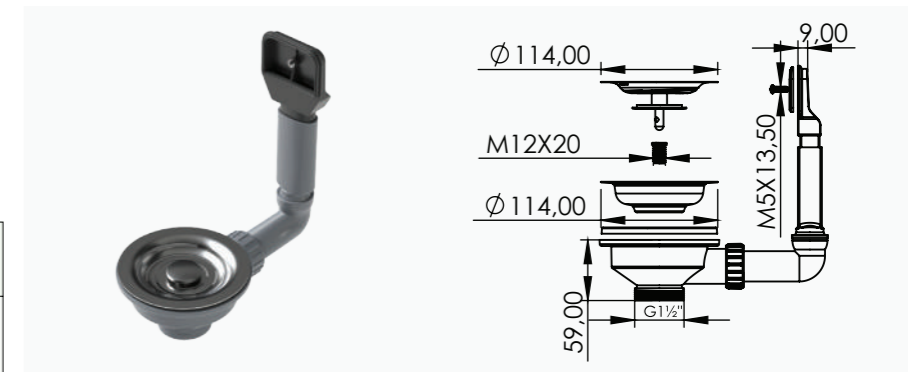
3 1/2 Basket wastes with rectangular overflow from drain
To be used on: Stainless steel, composite and ceramic sinks
Plastic employed: PP, TPE and rubber
Metals employed: AISI 304 Stainless steel, nickelled brass

Code	Master Carton Dims (cm)	PCS/Box	PCS/Pallet
QD-RT-02	38x57x34	50	1200

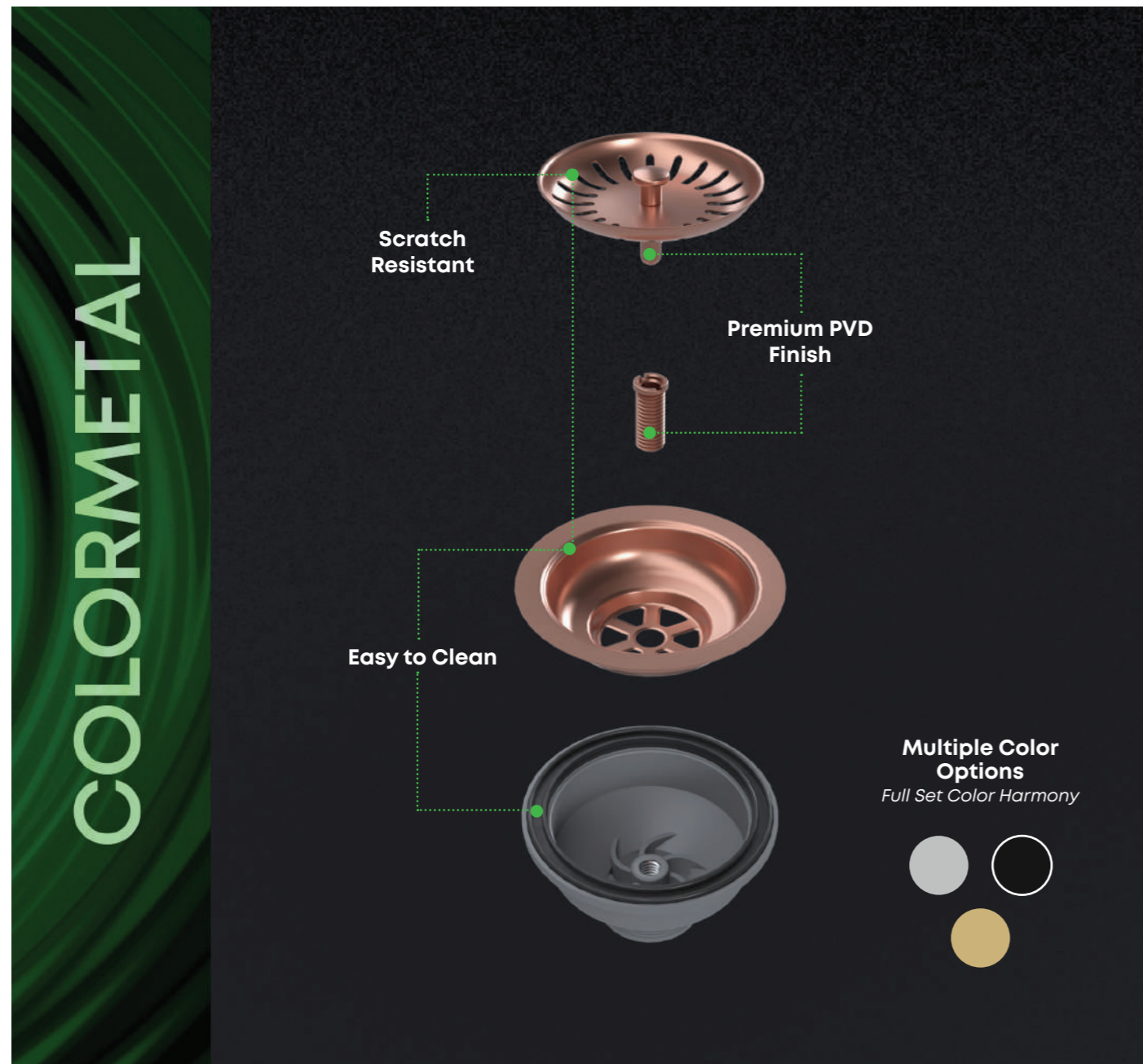


3 1/2 Basket wastes with rectangular thin overflow
To be used on: Stainless steel, composite and ceramic sinks
Plastic employed: PP, TPE and rubber
Metals employed: AISI 304 Stainless steel, nickelled brass

Code	Master Carton Dims (cm)	PCS/Box	PCS/Pallet
QD-RTN	38x57x34	50	1200



COLORMETAL



3 1/2 BASKET WASTES FOR Ø90 HOLE IN THE SINK

To be used on: Stainless steel, composite and ceramic sinks
Plastic employed: PP, TPE and rubber
Metals employed: AISI 304 Stainless steel, nickelled brass

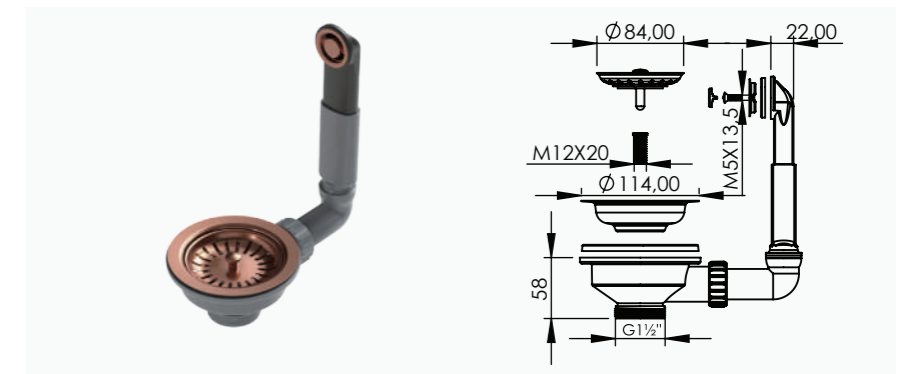
Code	Master Carton Dims (cm)	PCS/Box	PCS/Pallet
CM	38x57x34	100	2400



3 1/2 BASKET WASTES WITH BALL-JOINTED OVERFLOW

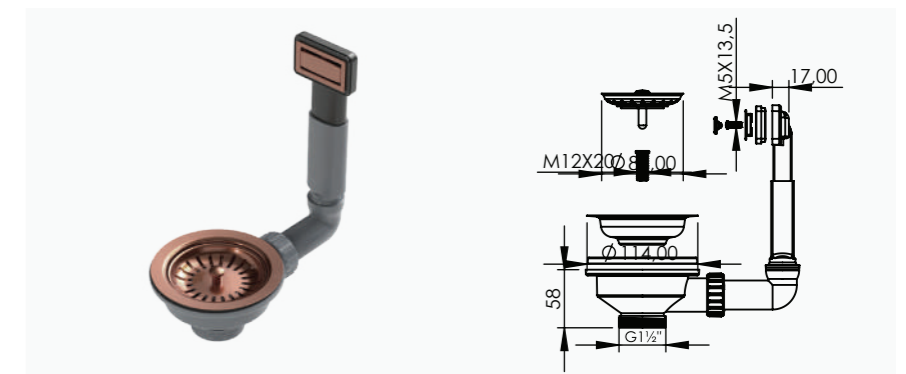
3 1/2 Basket wastes with round overflow
To be used on: Stainless steel, composite and ceramic sinks
Plastic employed: PP, TPE and rubber
Metals employed: AISI 304 Stainless steel, nickelled brass

Code	Master Carton Dims (cm)	PCS/Box	PCS/Pallet
CM-RN-01	38x57x34	50	1200



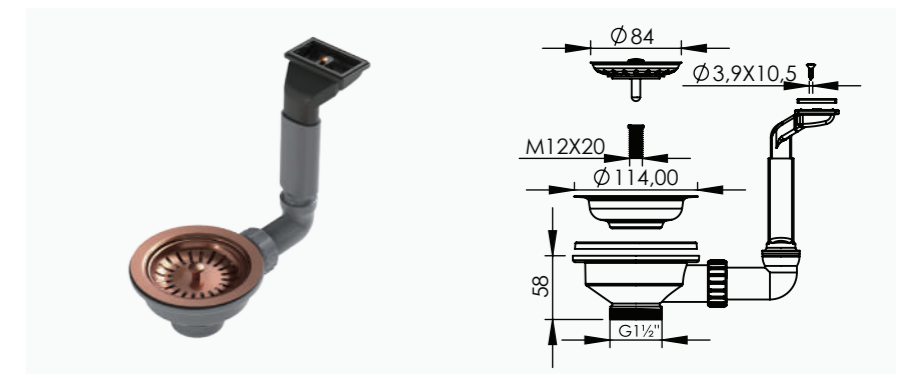
3 1/2 Basket wastes with rectangular overflow
To be used on: Stainless steel, composite and ceramic sinks
Plastic employed: PP, TPE and rubber
Metals employed: AISI 304 Stainless steel, nickelled brass

Code	Master Carton Dims (cm)	PCS/Box	PCS/Pallet
CM-RT-01	38x57x34	50	1200



3 1/2 Basket wastes with rectangular overflow from drain
To be used on: Stainless steel, composite and ceramic sinks
Plastic employed: PP, TPE and rubber
Metals employed: AISI 304 Stainless steel, nickelled brass

Code	Master Carton Dims (cm)	PCS/Box	PCS/Pallet
CM-RT-02	38x57x34	50	1200



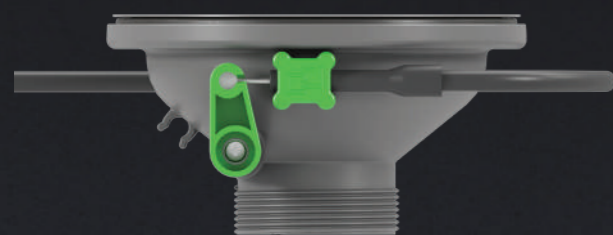
3 1/2 Basket wastes with rectangular thin overflow
To be used on: Stainless steel, composite and ceramic sinks
Plastic employed: PP, TPE and rubber
Metals employed: AISI 304 Stainless steel, nickelled brass

Code	Master Carton Dims (cm)	PCS/Box	PCS/Pallet
CM-RTN	38x57x34	50	1200

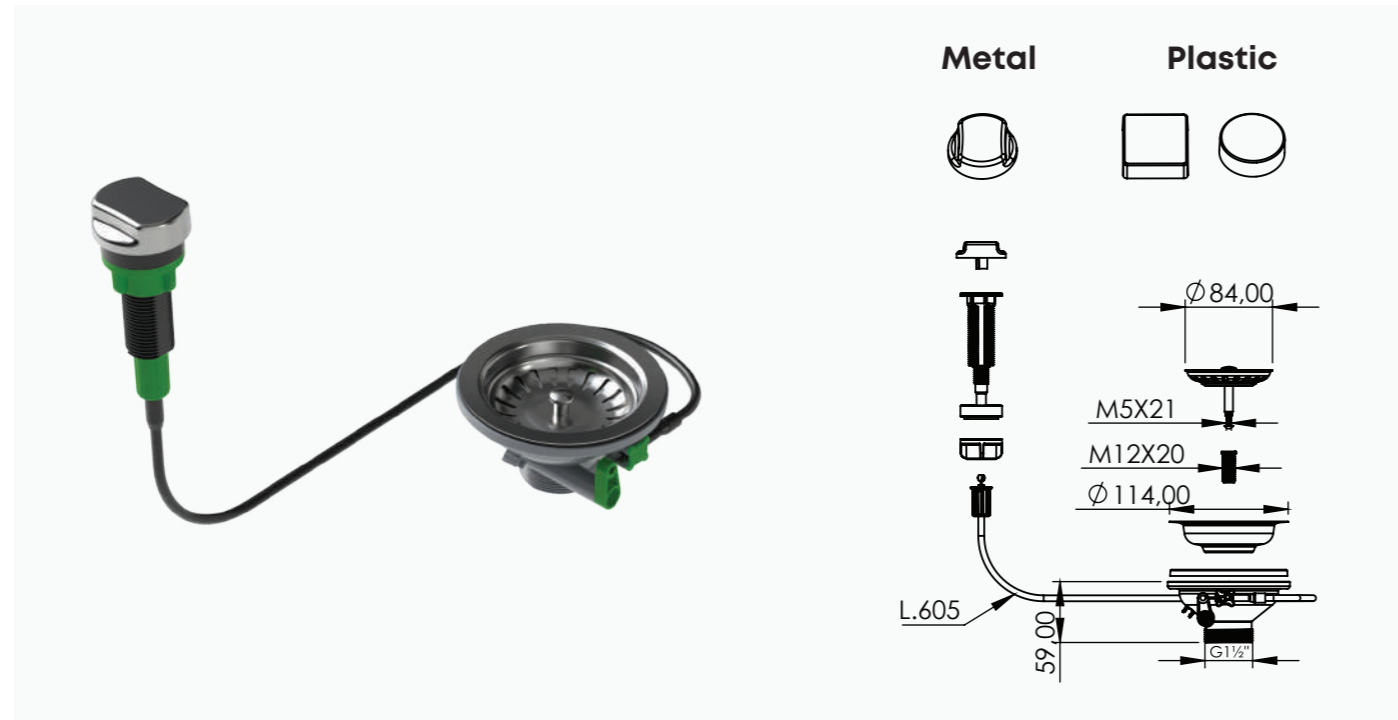


3 1/2 POP-UP WASTE WITH TURN-CONTROL

3 1/2 POP-UP WASTE WITH PUSH BUTTON

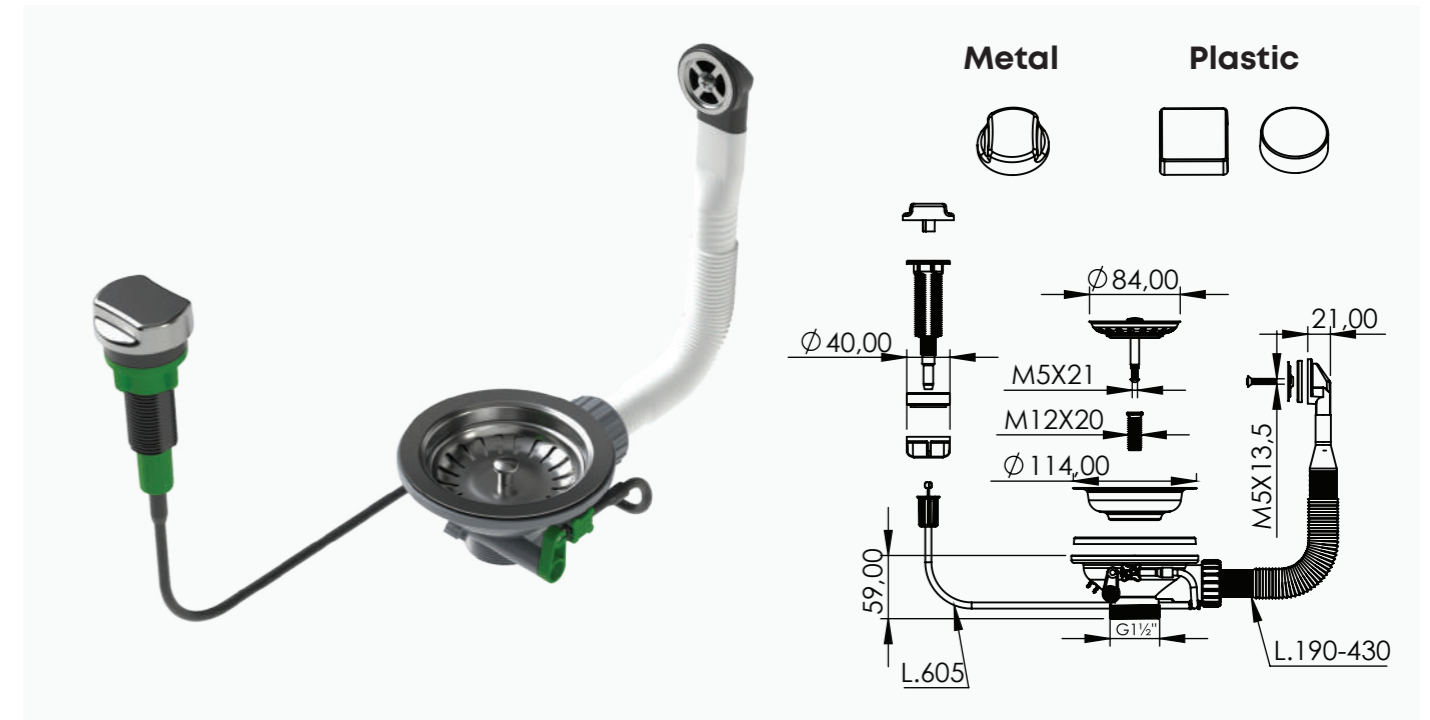


3 1/2 POP-UP WASTE WITH TURN-CONTROL



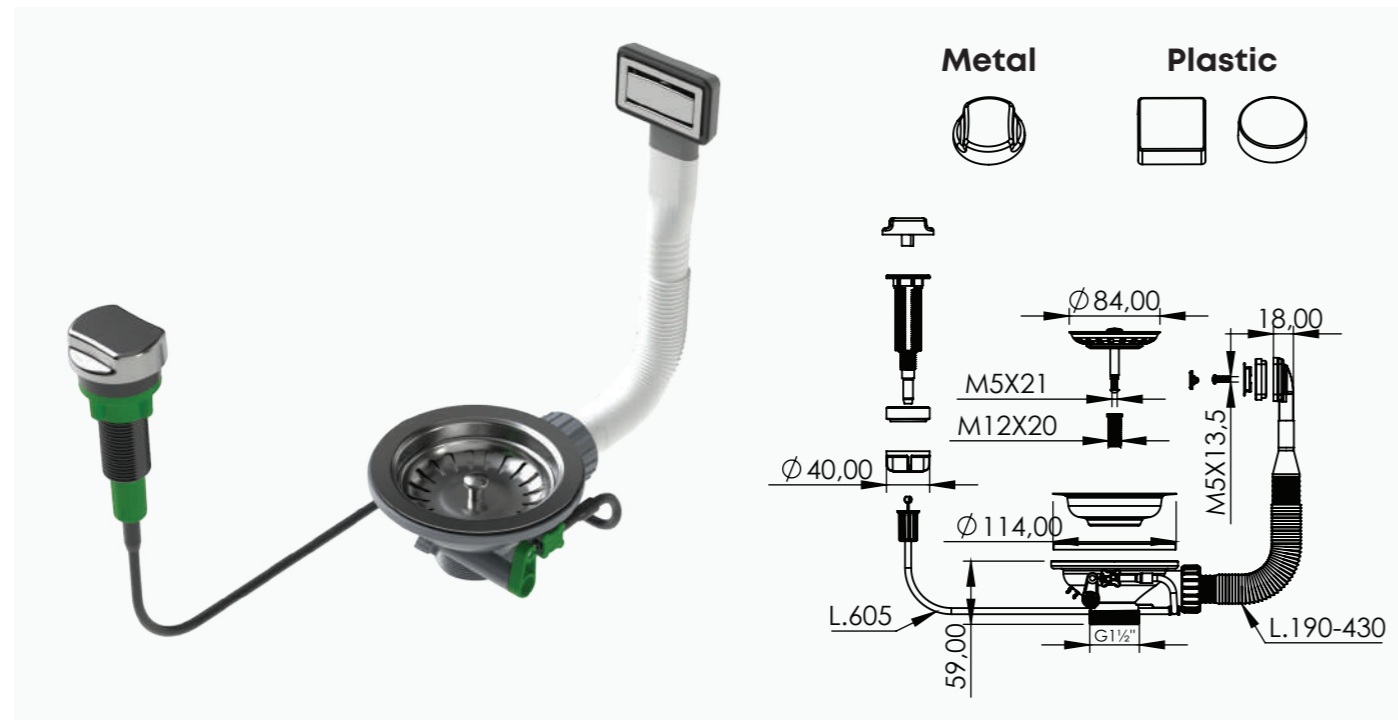
To be used on: Stainless steel, composite and ceramic sinks
Plastic employed: PP, POM, TPE and rubber
Metals employed: AISI 304 Stainless steel, nickelled brass

Code	Master Carton Dims (cm)	PCS/ Box	PCS/ Pallet
PWT	38x57x34	50	1200



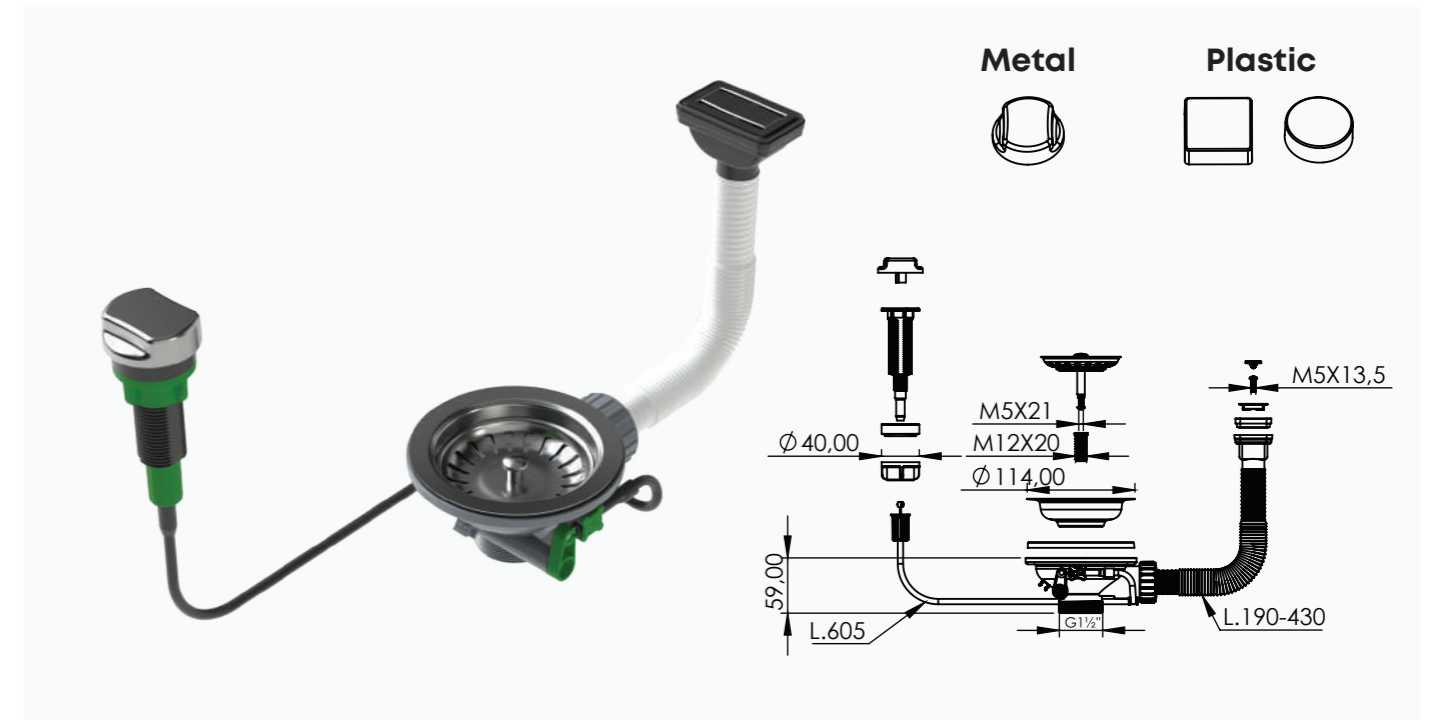
3 1/2 Pop-Up waste with turn-control & round overflow
To be used on: Stainless steel, composite and ceramic sinks
Plastic employed: PP, POM, TPE and rubber
Metals employed: AISI 304 Stainless steel, nickelled brass

Code	Master Carton Dims (cm)	PCS/ Box	PCS/ Pallet
PWT-RN-01	38x57x34	40	960



3 1/2 Pop-Up waste with turn-control & rectangular overflow
To be used on: Stainless steel, composite and ceramic sinks
Plastic employed: PP, POM, TPE and rubber
Metals employed: AISI 304 Stainless steel, nickelled brass

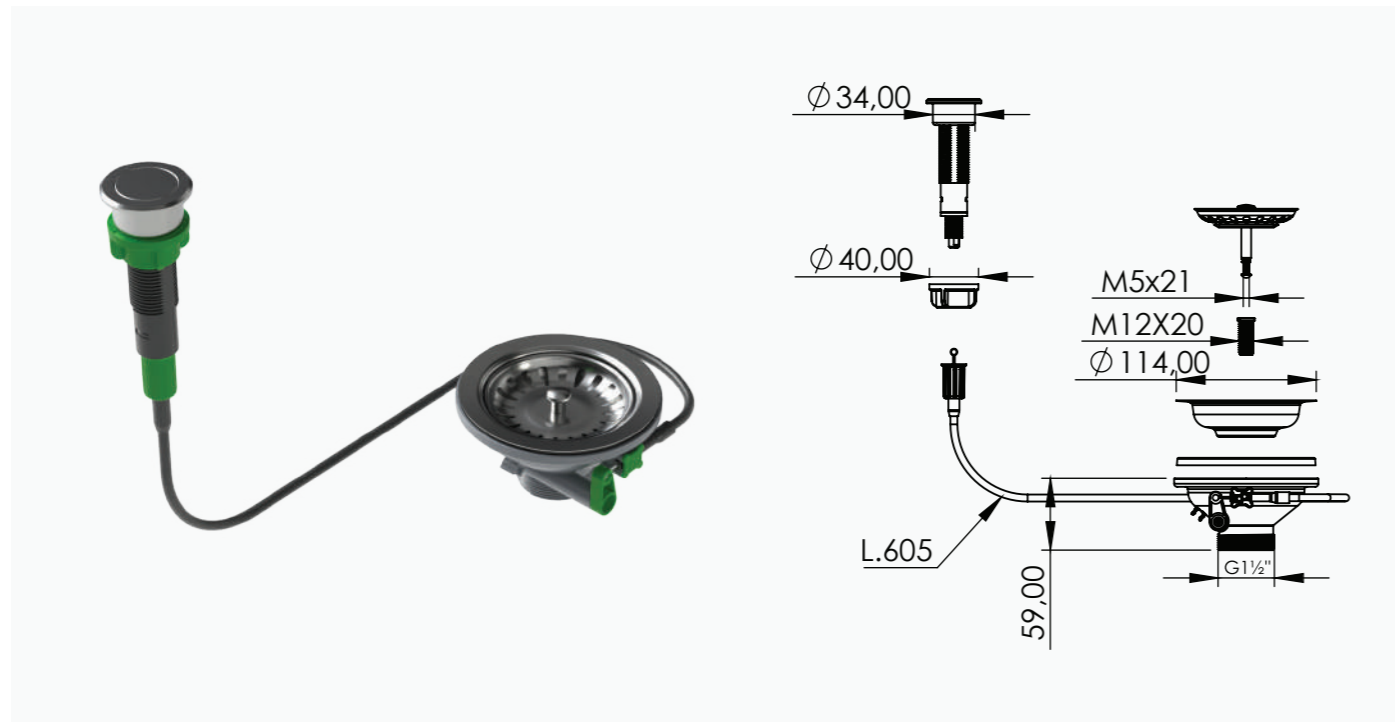
Code	Master Carton Dims (cm)	PCS/ Box	PCS/ Pallet
PWT-RT-01	38x57x34	40	960



3 1/2 Pop-Up waste with turn-control & rectangular overflow from drain
To be used on: Stainless steel, composite and ceramic sinks
Plastic employed: PP, POM, TPE and rubber
Metals employed: AISI 304 Stainless steel, nickelled brass

Code	Master Carton Dims (cm)	PCS/ Box	PCS/ Pallet
PWT-RT-02	38x57x34	40	960

3 1/2 POP-UP WASTE WITH PUSH BUTTON

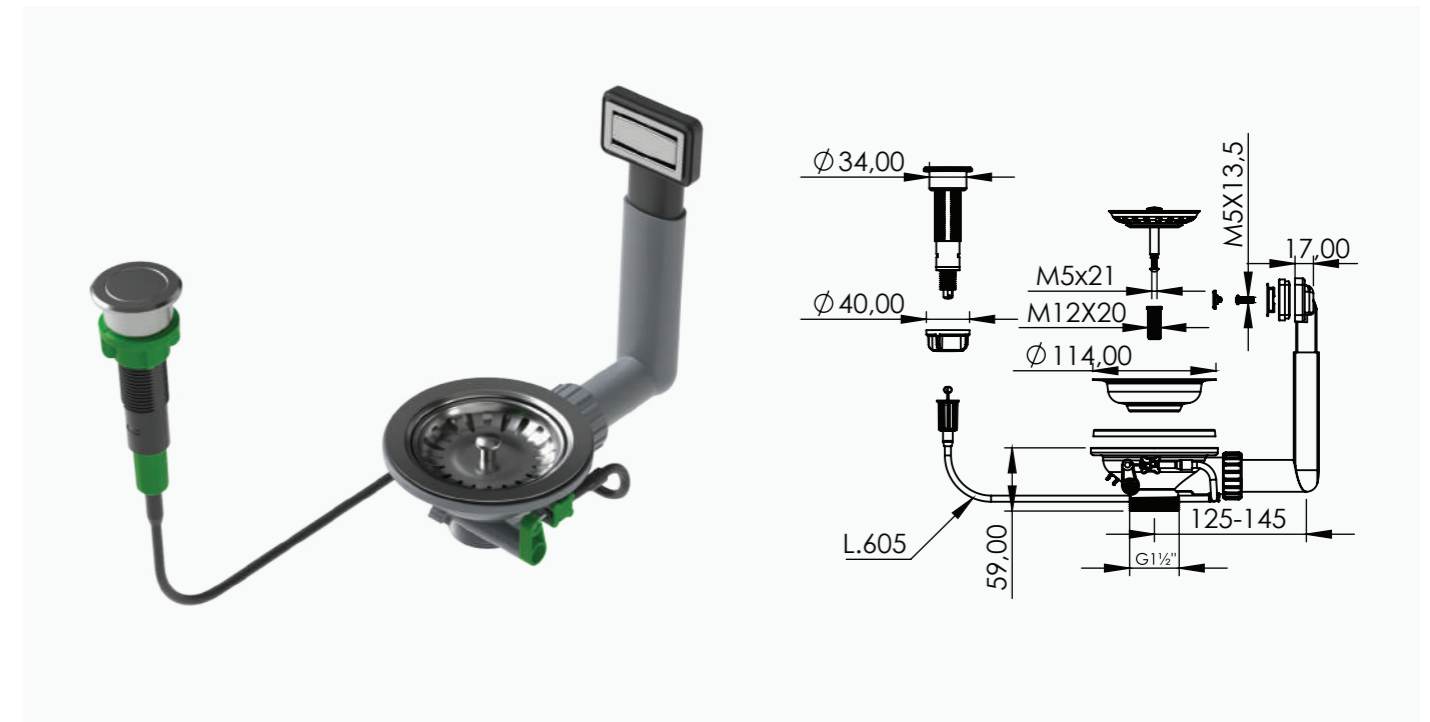


To be used on: Stainless steel, composite and ceramic sinks

Plastic employed: PP, POM, TPE and rubber

Metals employed: AISI 304 Stainless steel, nickelled brass

Code	Master Carton Dims (cm)	PCS/ Box	PCS/ Pallet
PWP	38x57x34	50	1200



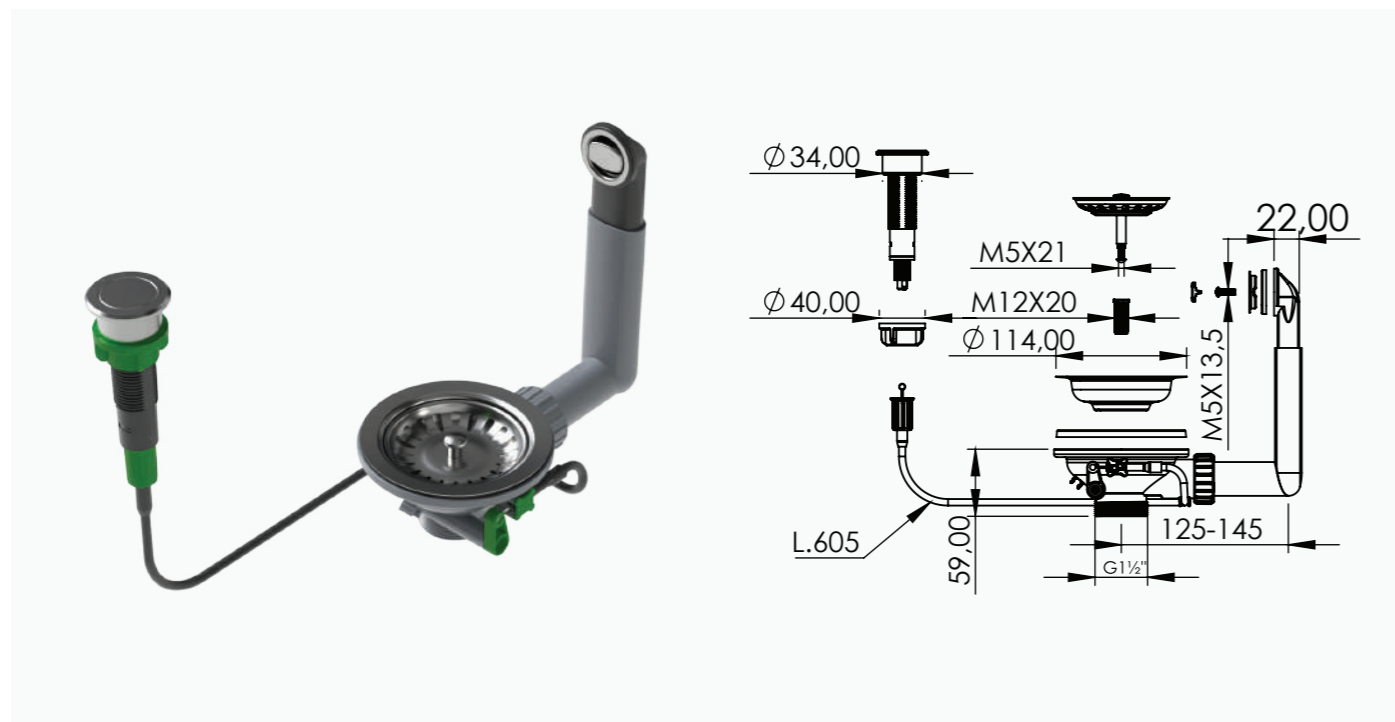
3 1/2 Pop-Up waste with turn-control & rectangular overflow

To be used on: Stainless steel, composite and ceramic sinks

Plastic employed: PP, POM, TPE and rubber

Metals employed: AISI 304 Stainless steel, nickelled brass

Code	Master Carton Dims (cm)	PCS/ Box	PCS/ Pallet
PWP-RT-01	38x57x34	40	960



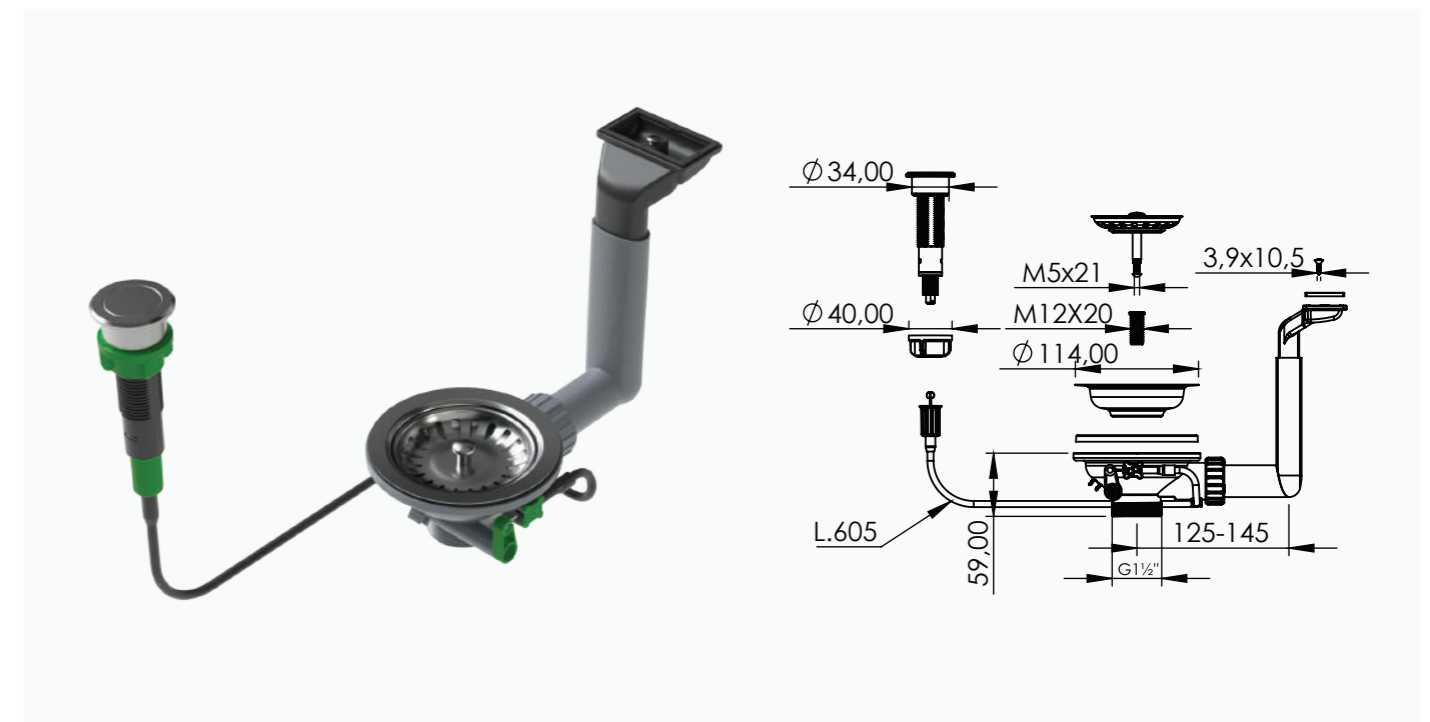
3 1/2 Pop-Up waste with turn-control & round rigid overflow

To be used on: Stainless steel, composite and ceramic sinks

Plastic employed: PP, POM, TPE and rubber

Metals employed: AISI 304 Stainless steel, nickelled brass

Code	Master Carton Dims (cm)	PCS/ Box	PCS/ Pallet
PWP-RN-01	38x57x34	40	960



3 1/2 Pop-Up waste with turn-control & rectangular overflow from the drain.

To be used on: Stainless steel, composite and ceramic sinks

Plastic employed: PP, POM, TPE and rubber

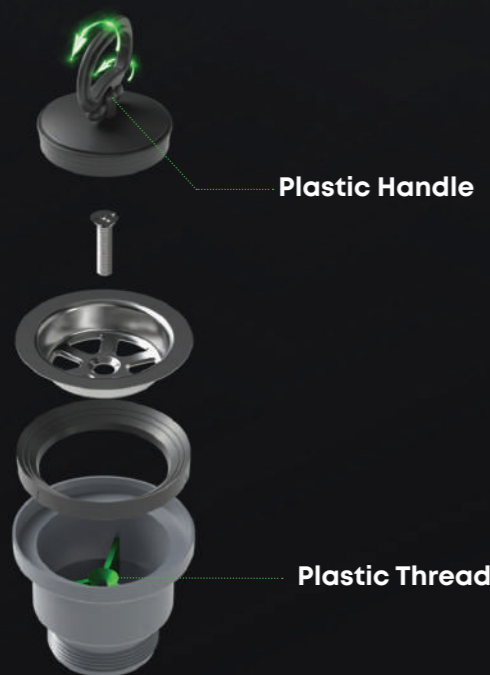
Metals employed: AISI 304 Stainless steel, nickelled brass

Code	Master Carton Dims (cm)	PCS/ Box	PCS/ Pallet
PWP-RT-02	38x57x34	40	960

1½ WASTE BOWLS COLLECTION



ECO MODELS



Plastic Handle

Plastic Thread

LUX MODELS



Chain Attached Screw

Metal Insert

1½ BASKET WASTES WITH SPIRAL OVERFLOW

To be used on: Stainless steel, composite and ceramic sinks
Plastic employed: PP, TPE and rubber
Metals employed: AISI 304 Stainless steel, nickelled brass

Code	Master Carton Dims (cm)	PCS/ Box	PCS/ Pallet
SWE	78x57x34	200	2400



1½ Basket wastes with circular overflow
To be used on: Stainless steel, composite and ceramic sinks
Plastic employed: PP, TPE and rubber
Metals employed: AISI 304 Stainless steel, nickelled brass

Code	Master Carton Dims (cm)	PCS/ Box	PCS/ Pallet
SWE-RN-01	78x57x34	150	1800



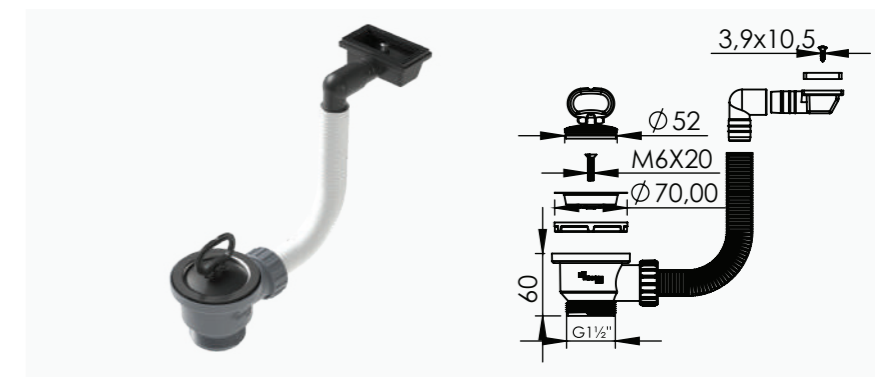
1½ Basket wastes with rectangular overflow from drain
To be used on: Stainless steel, composite and ceramic sinks
Plastic employed: PP, TPE and rubber
Metals employed: AISI 304 Stainless steel, nickelled brass

Code	Master Carton Dims (cm)	PCS/ Box	PCS/ Pallet
SWE-RT-01	78x57x34	150	1800



1½ Basket wastes with rectangular overflow from drain
To be used on: Stainless steel, composite and ceramic sinks
Plastic employed: PP, TPE and rubber
Metals employed: AISI 304 Stainless steel, nickelled brass

Code	Master Carton Dims (cm)	PCS/ Box	PCS/ Pallet
SWE-RT-02	78x57x34	150	1800



1½ BASKET WASTES WITH COMPRESSIBLE OVERFLOW

1½ Basket wastes with round overflow

To be used on: Stainless steel, composite and ceramic sinks

Plastic employed: PP, TPE and rubber

Metals employed: AISI 304 Stainless steel, nickelled brass

Code	Master Carton Dims (cm)	PCS/Box	PCS/Pallet
SWE-RN-02	78x57x34	150	1800



1½ Basket wastes with rectangular overflow

To be used on: Stainless steel, composite and ceramic sinks

Plastic employed: PP, TPE and rubber

Metals employed: AISI 304 Stainless steel, nickelled brass

Code	Master Carton Dims (cm)	PCS/Box	PCS/Pallet
SWE-RT-03	78x57x34	150	1800



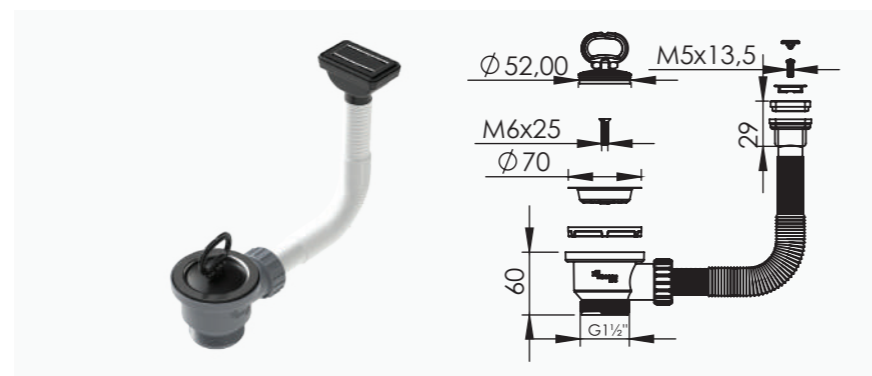
1½ Basket wastes with rectangular overflow from drain

To be used on: Stainless steel, composite and ceramic sinks

Plastic employed: PP, TPE and rubber

Metals employed: AISI 304 Stainless steel, nickelled brass

Code	Master Carton Dims (cm)	PCS/Box	PCS/Pallet
SWE-RT-04	78x57x34	150	1800



To be used on: Stainless steel, composite and ceramic sinks

Plastic employed: PP, TPE and rubber

Metals employed: AISI 304 Stainless steel, nickelled brass

Code	Master Carton Dims (cm)	PCS/Box	PCS/Pallet
SWL	78x57x34	200	2400



1½ BASKET WASTES WITH RIGID & BALL JOINTED OVERFLOW

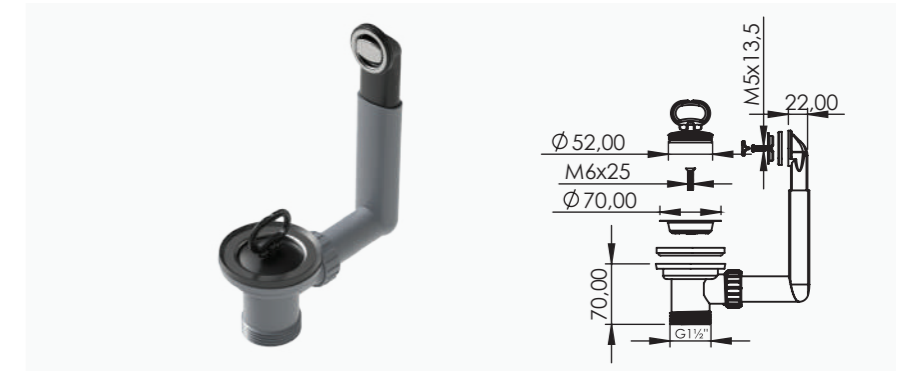
1½ Basket wastes with round overflow

To be used on: Stainless steel, composite and ceramic sinks

Plastic employed: PP, TPE and rubber

Metals employed: AISI 304 Stainless steel, nickelled brass

Code	Master Carton Dims (cm)	PCS/Box	PCS/Pallet
SWL-RN-01	78x57x34	130	1560



1½ Basket wastes with rectangular overflow

To be used on: Stainless steel, composite and ceramic sinks

Plastic employed: PP, TPE and rubber

Metals employed: AISI 304 Stainless steel, nickelled brass

Code	Master Carton Dims (cm)	PCS/Box	PCS/Pallet
SWL-RT-02	78x57x34	130	1560



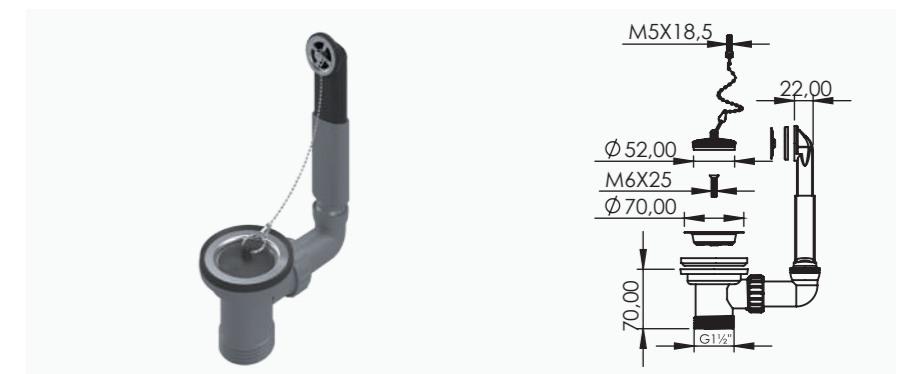
1½ Basket wastes with round overflow

To be used on: Stainless steel, composite and ceramic sinks

Plastic employed: PP, TPE and rubber

Metals employed: AISI 304 Stainless steel, nickelled brass

Code	Master Carton Dims (cm)	PCS/Box	PCS/Pallet
SWL-RN-02	78x57x34	130	1560



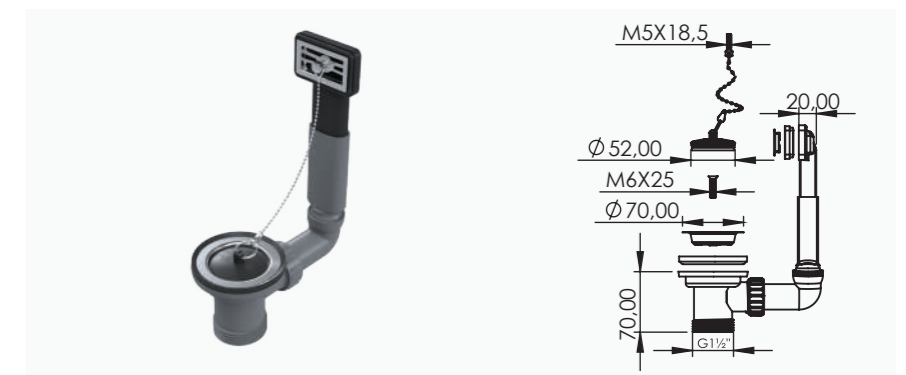
1½ Basket wastes with rectangular overflow

To be used on: Stainless steel, composite and ceramic sinks

Plastic employed: PP, TPE and rubber

Metals employed: AISI 304 Stainless steel, nickelled brass

Code	Master Carton Dims (cm)	PCS/Box	PCS/Pallet
SWL-RT-02	78x57x34	130	1560



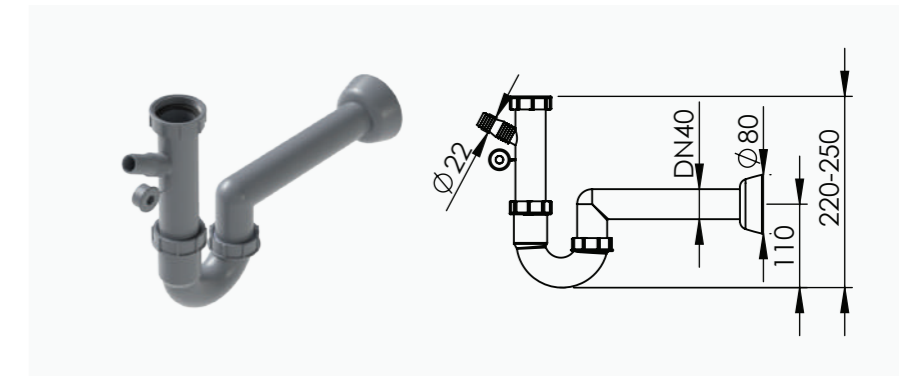
TRAPS

U-ECO TRAPS

U eco trap for 1 bowl with dishwasher connection

Inlet: G1/2"
Outlet: DN40

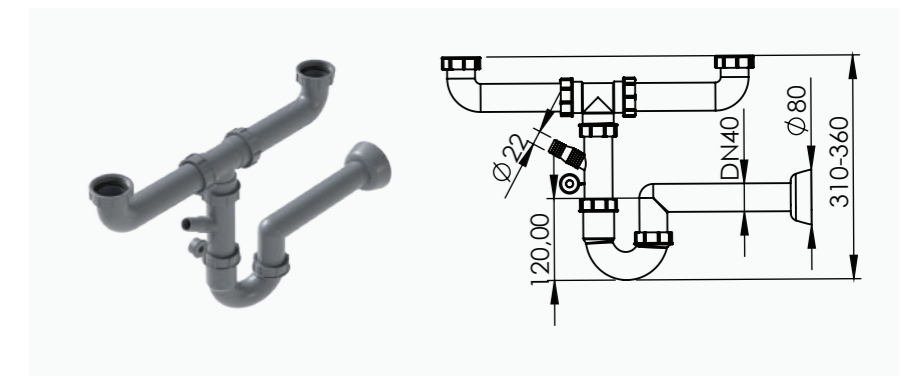
Code	Master Carton Dims (cm)	PCS/ Box	PCS/ Pallet
UET-01	78x57x34	65	780



U eco trap for 2 bowl with dishwasher connection

Inlet: G1/2"
Outlet: DN40

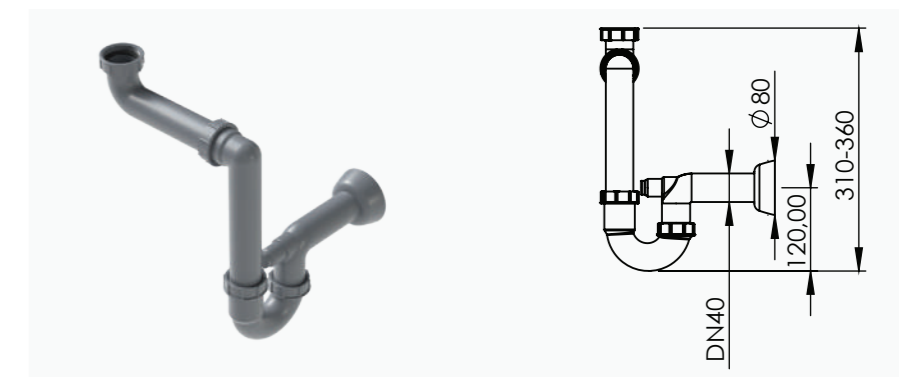
Code	Master Carton Dims (cm)	PCS/ Box	PCS/ Pallet
UET-02	78x57x34	40	480



U eco space saver trap for 1 bowl with dishwasher connection

Inlet: G1/2"
Outlet: DN40

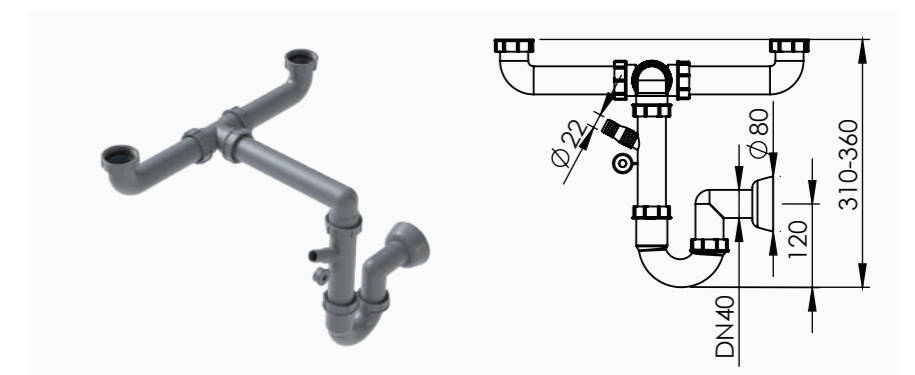
Code	Master Carton Dims (cm)	PCS/ Box	PCS/ Pallet
UET-03	78x57x34	50	300



U eco space saver trap for 2 bowl with dishwasher connection

Inlet: G1/2"
Outlet: DN40

Code	Master Carton Dims (cm)	PCS/ Box	PCS/ Pallet
UET-04	78x57x34	30	360

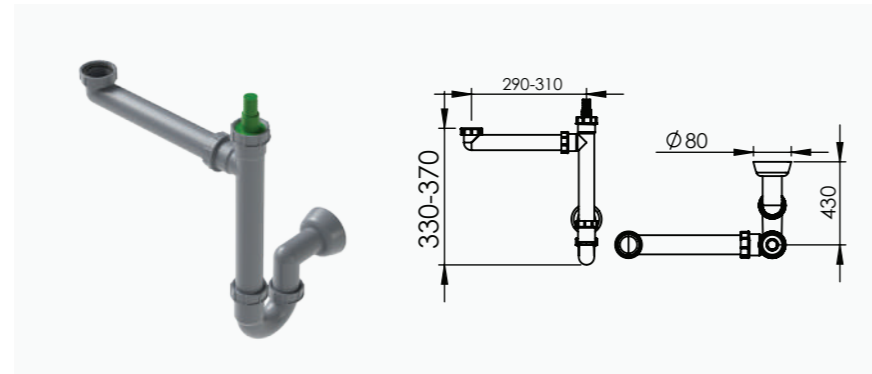


SELF CLEANING U TRAPS

Self cleaning space saver U trap for 1 bowl with dishwasher connection

Inlet: G1/2"
Outlet: DN40

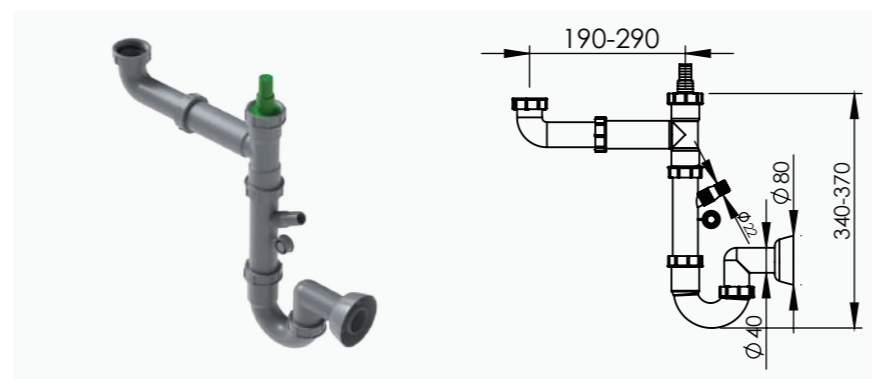
Code	Master Carton Dims (cm)	PCS/Box	PCS/Pallet
SUT-01	78x57x34	40	480



Self cleaning space saver U trap for 1 bowl with 2 dishwasher connection

Inlet: G1/2"
Outlet: DN40

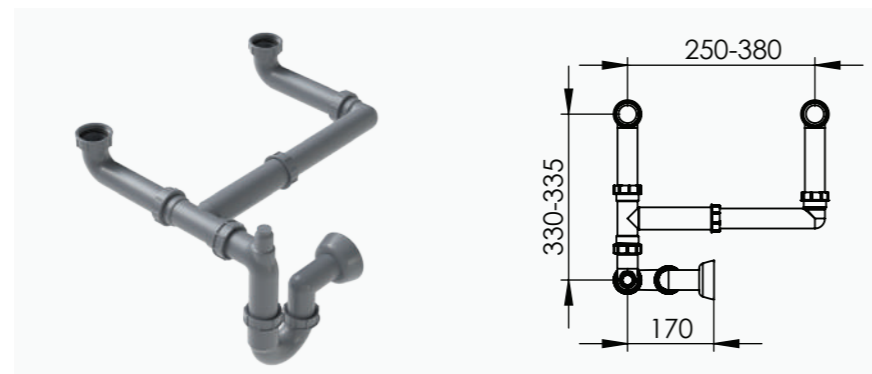
Code	Master Carton Dims (cm)	PCS/Box	PCS/Pallet
SUT-02	78x57x34	40	480



Self cleaning space saver U trap for 2 bowl with dishwasher connection

Inlet: G1/2"
Outlet: DN40

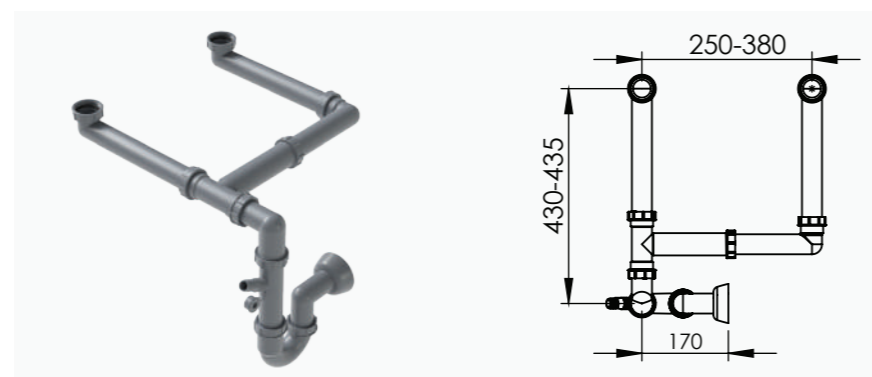
Code	Master Carton Dims (cm)	PCS/Box	PCS/Pallet
SUT-03	78x57x34	28	336



Self cleaning space saver U trap for 2 bowl with dishwasher connection

Inlet: G1/2"
Outlet: DN40

Code	Master Carton Dims (cm)	PCS/Box	PCS/Pallet
SUT-04	78x57x34	28	336

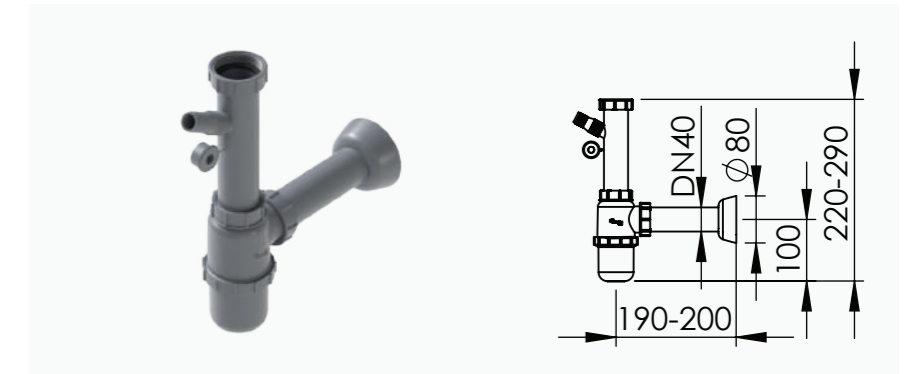


BOTTLE TRAPS

Bottle trap for 1 bowl with dishwasher connection

Inlet: G1/2"
Outlet: DN40

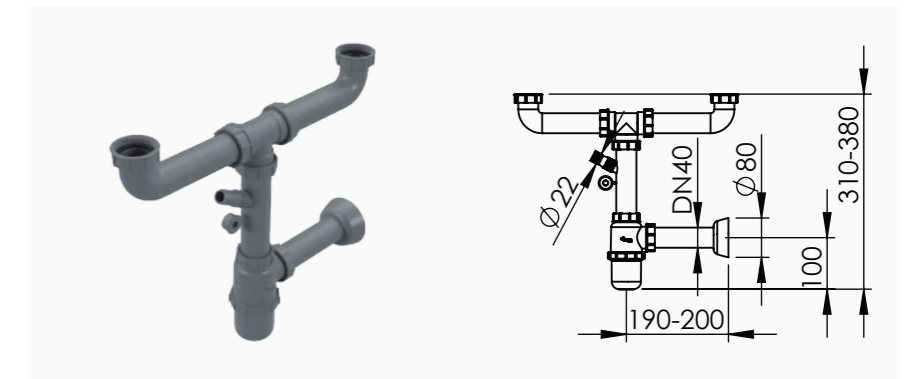
Code	Master Carton Dims (cm)	PCS/Box	PCS/Pallet
BT-01	78x57x34	55	660



Bottle trap for 2 bowl with dishwasher connection

Inlet: G1/2"
Outlet: DN40

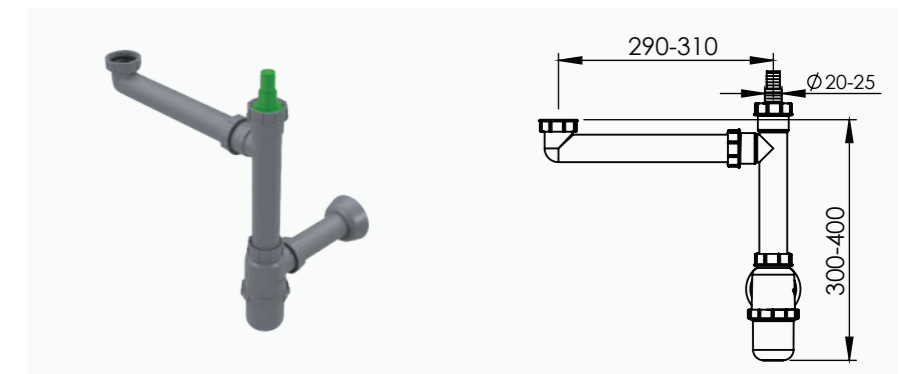
Code	Master Carton Dims (cm)	PCS/Box	PCS/Pallet
BT-02	78x57x34	36	432



Space saver bottle trap for 1 bowl with dishwasher connection

Inlet: G1/2"
Outlet: DN40

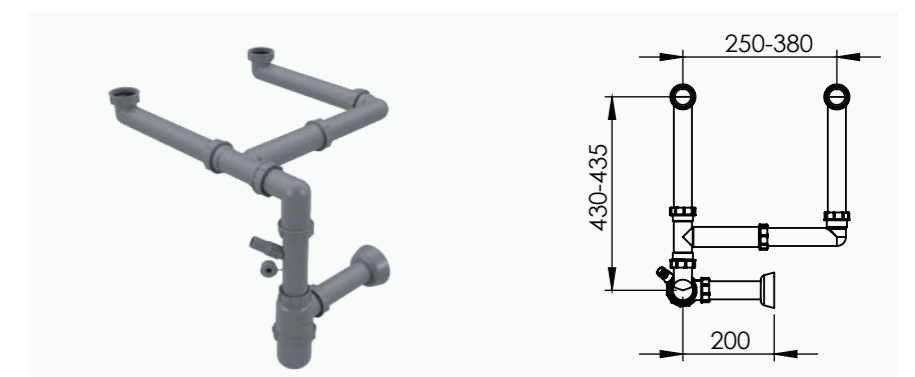
Code	Master Carton Dims (cm)	PCS/Box	PCS/Pallet
BT-03	78x57x34	36	432



Space saver bottle trap for 2 bowl with dishwasher connection

Inlet: G1/2"
Outlet: DN40

Code	Master Carton Dims (cm)	PCS/Box	PCS/Pallet
BT-04	78x57x34	25	300

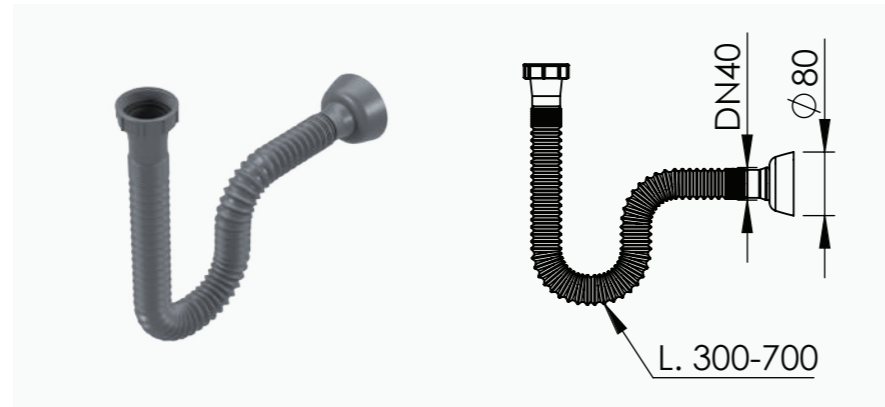


COMPRESSIBLE HOSE

Compressible hose for 1 bowl

Inlet: G1/2"
Outlet: DN40

Code	Master Carton Dims (cm)	PCS/Box	PCS/Pallet
CH-01	78x57x34	140	1680



Compressible hose for 2 bowl

Inlet: G1/2"
Outlet: DN40

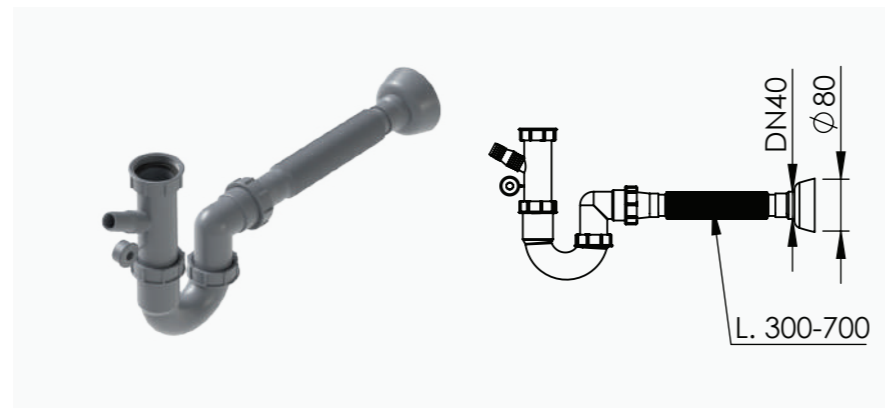
Code	Master Carton Dims (cm)	PCS/Box	PCS/Pallet
CH-04	78x57x34	60	720



Compressible hose for 1 bowl with dishwasher connection

Inlet: G1/2"
Outlet: DN40

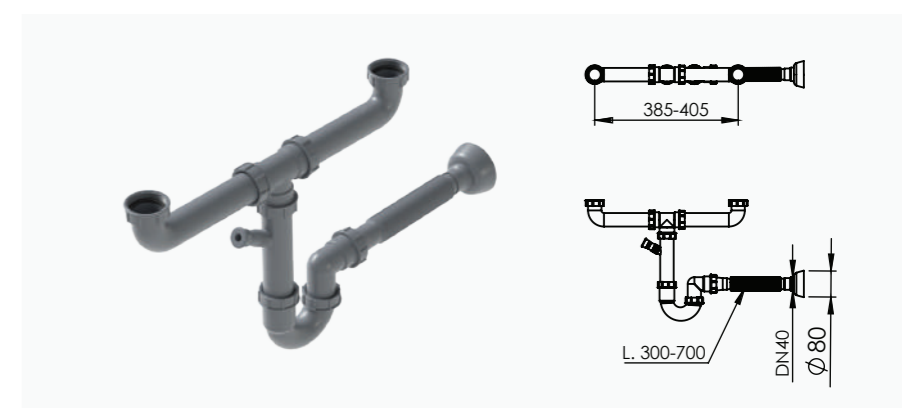
Code	Master Carton Dims (cm)	PCS/Box	PCS/Pallet
CH-02	78x57x34	55	660



Compressible hose for 2 bowl with dishwasher connection

Inlet: G1/2"
Outlet: DN40

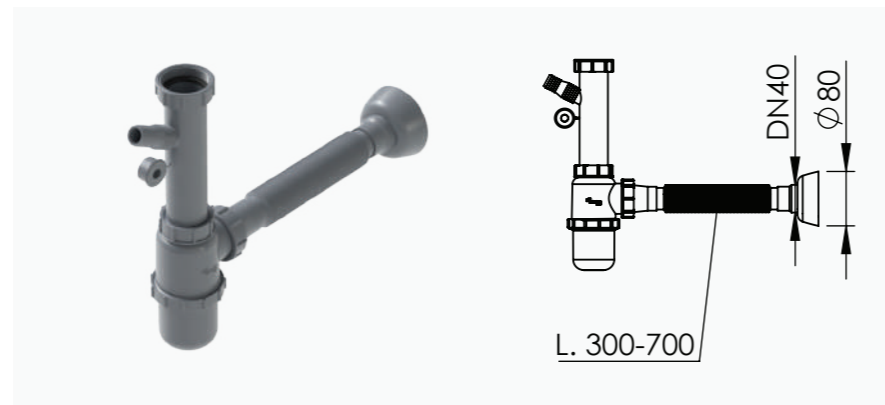
Code	Master Carton Dims (cm)	PCS/Box	PCS/Pallet
CH-05	78x57x34	35	420



Compressible hose for 1 bowl with dishwasher connection

Inlet: G1/2"
Outlet: DN40

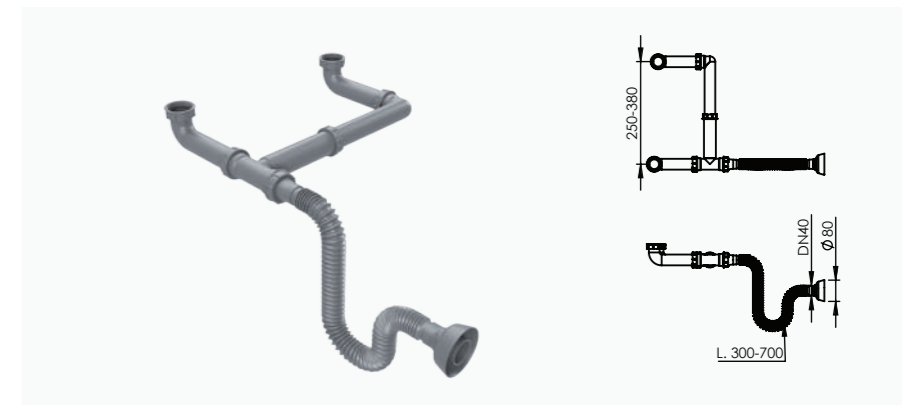
Code	Master Carton Dims (cm)	PCS/Box	PCS/Pallet
CH-03	78x57x34	50	600



Space saver compressible hose for 2 bowl

Inlet: G1/2"
Outlet: DN40

Code	Master Carton Dims (cm)	PCS/Box	PCS/Pallet
CH-06	78x57x34	30	360

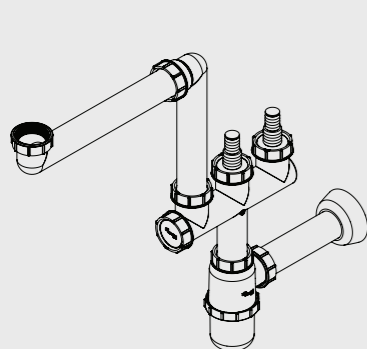


TELESCOPIC TRAP



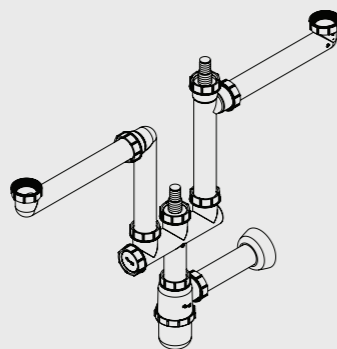
CONFIGURATION 1:

Suitable for single bowl sinks, with double dishwasher connection and compact space-saving design.



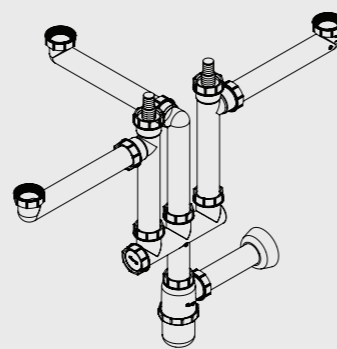
CONFIGURATION 2:

Suitable for double bowl sinks, with double dishwasher connection and compact space-saving design.



CONFIGURATION 3:

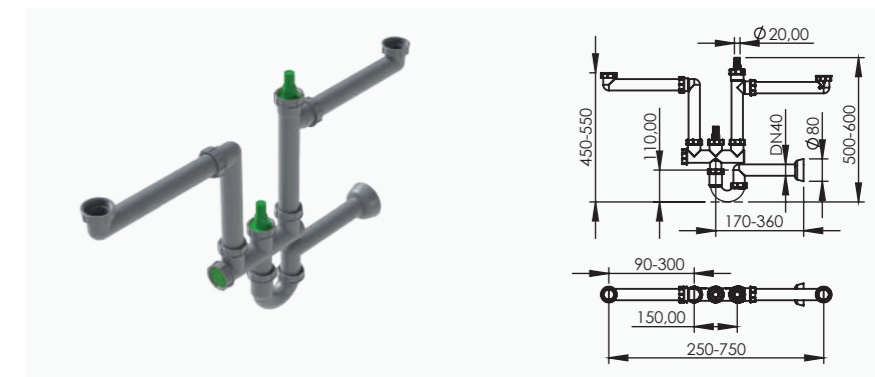
Suitable for triple bowl sinks, with double dishwasher connection and optimized for tight installation spaces.



Telescopic U trap for 2 bowl with 2 dishwasher connection

Inlet: G1/2"
Outlet: DN40

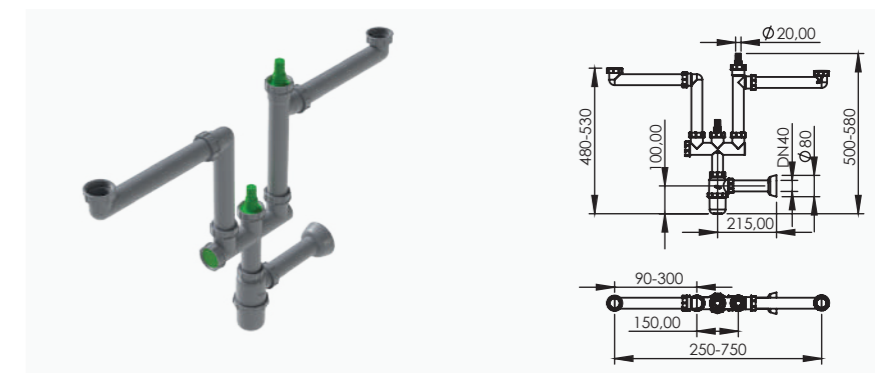
Code	Master Carton Dims (cm)	PCS/Box	PCS/Pallet
TT-01	78x57x34	20	240



Telescopic U trap for 2 bowl with 2 dishwasher connection

Inlet: G1/2"
Outlet: DN40

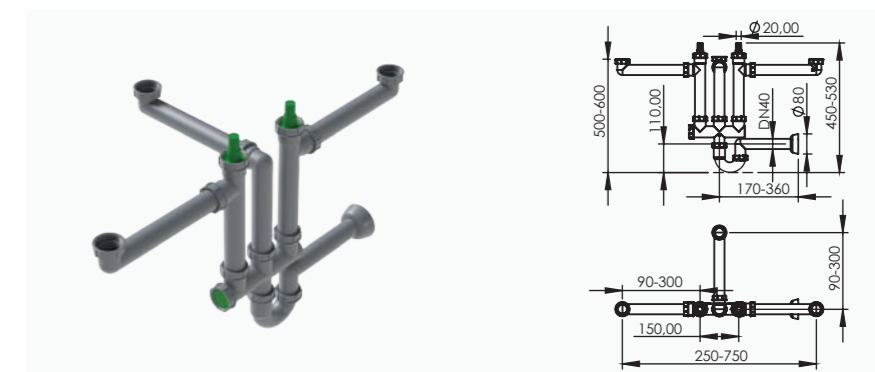
Code	Master Carton Dims (cm)	PCS/Box	PCS/Pallet
TT-02	78x57x34	20	240



Telescopic U trap for 3 bowl with 2 dishwasher connection

Inlet: G1/2"
Outlet: DN40

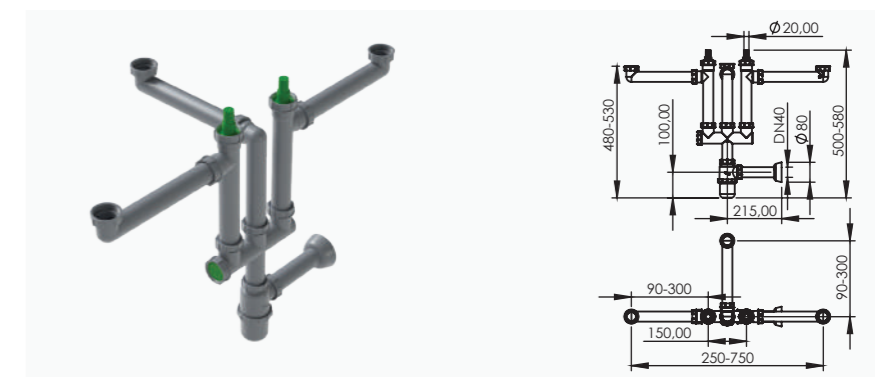
Code	Master Carton Dims (cm)	PCS/Box	PCS/Pallet
TT-03	78x57x34	15	180



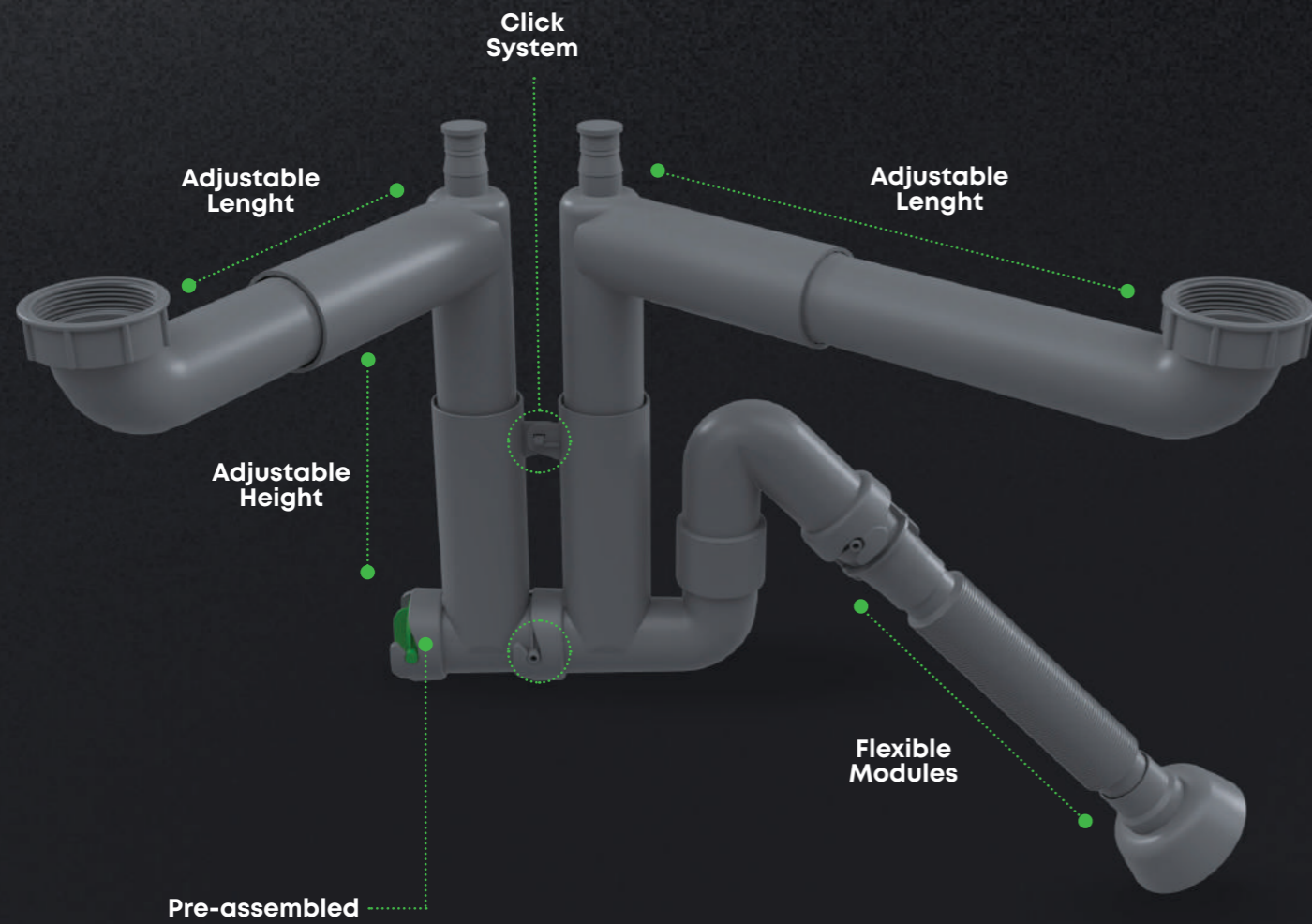
Telescopic U trap for 3 bowl with 2 dishwasher connection

Inlet: G1/2"
Outlet: DN40

Code	Master Carton Dims (cm)	PCS/Box	PCS/Pallet
TT-04	78x57x34	15	180



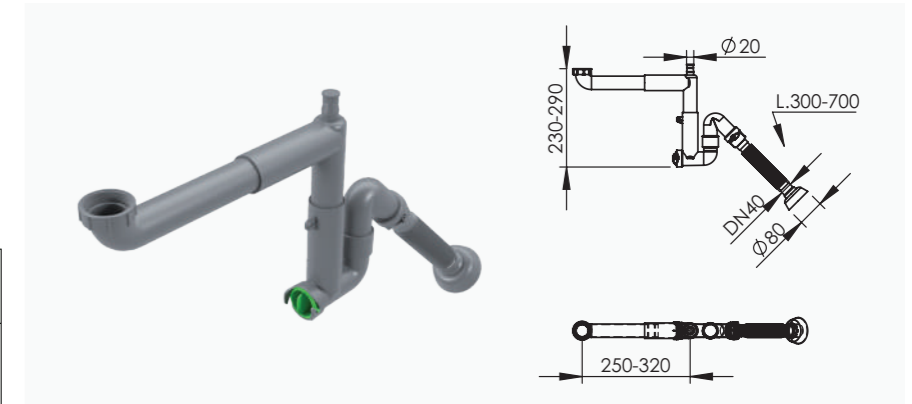
TELESCOPIC QUICKMOUNT



Telescopic quickmount for 1 bowl with 1 dishwasher connection

Inlet: G1/2"
Outlet: DN40

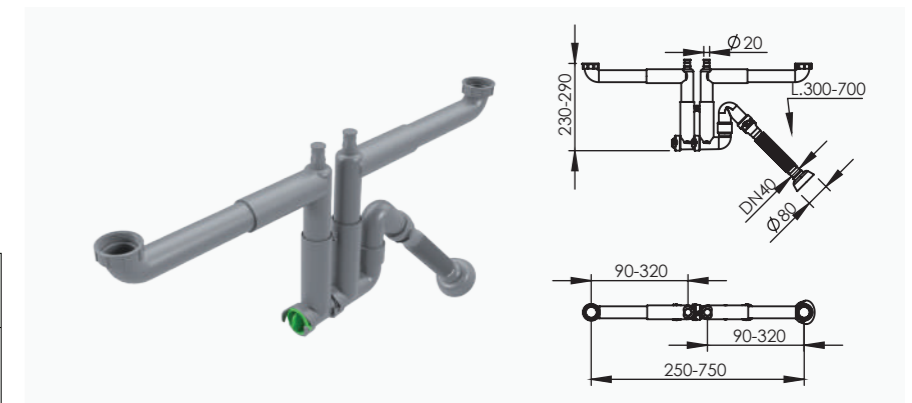
Code	Master Carton Dims (cm)	PCS/Box	PCS/Pallet
TQT-01	78x57x34	40	480



Telescopic quickmount for 2 bowl with 2 dishwasher connection

Inlet: G1/2"
Outlet: DN40

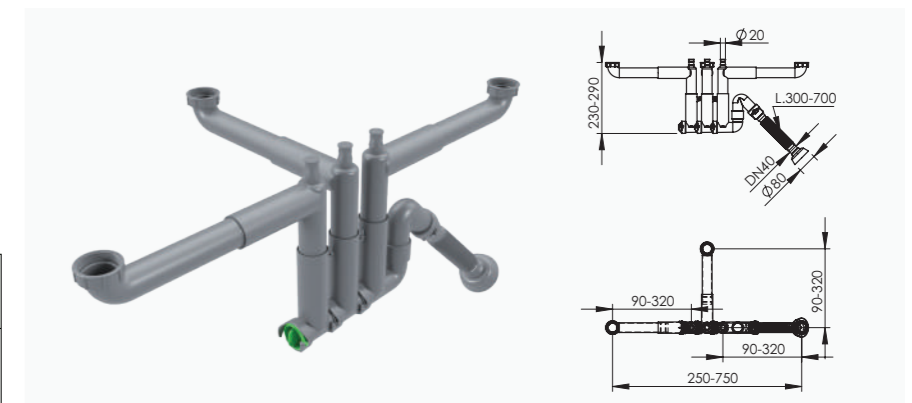
Code	Master Carton Dims (cm)	PCS/Box	PCS/Pallet
TQT-02	78x57x34	30	360



Telescopic quickmount for 3 bowl with 3 dishwasher connection

Inlet: G1/2"
Outlet: DN40

Code	Master Carton Dims (cm)	PCS/Box	PCS/Pallet
TQT-03	78x57x34	20	240



ACCESSORIES



3 1/2 Waste Bowl Plug

Model: Lux-Drop
Finish: Bright
 Suitable for regular wastes

Code	Master Carton Dims (cm)	PCS/ Box	PCS/ Pallet
YM-00242	38x29x34	100	4800



3 1/2 Waste Bowl Eco Plug

Model: Eco-Drop
Finish: Bright
 Suitable for regular wastes

Code	Master Carton Dims (cm)	PCS/ Box	PCS/ Pallet
YM- 00242PL	38x29x34	100	4800



3 1/2 Waste Bowl Plug

Model: Lux-Slot
Finish: Satin
 Suitable for regular wastes

Code	Master Carton Dims (cm)	PCS/ Box	PCS/ Pallet
YM-00243	38x29x34	100	4800



3 1/2 Waste Bowl Plug

Model: Pop-up Eco
 Suitable for pop-up wastes

Code	Master Carton Dims (cm)	PCS/ Box	PCS/ Pallet
YM- 00243P	38x29x34	100	4800



3 1/2 Waste Bowl Plug

Model: Lux-Slot&Hole
Finish: Polished
 Suitable for regular wastes

Code	Master Carton Dims (cm)	PCS/ Box	PCS/ Pallet
YM-002430	38x29x34	100	4800



3 1/2 Waste Bowl Plug

Model: Pop-up/Lux
 Suitable for pop-up wastes

Code	Master Carton Dims (cm)	PCS/ Box	PCS/ Pallet
YM- 00243-PLX	38x29x34	100	4800



3 1/2 Waste Bowl Plug

Model: Lux-Drop
Finish: Copper
 Suitable for regular wastes

Code	Master Carton Dims (cm)	PCS/ Box	PCS/ Pallet
YM-00242GL	38x29x34	100	4800



3 1/2 Waste Bowl Plug

Model: Lux-Drop
Finish: Copper
 Suitable for regular wastes

Code	Master Carton Dims (cm)	PCS/ Box	PCS/ Pallet
YM-00242GL-P	38x29x34	100	4800



3 1/2 Waste Bowl Plug

Model: QuickDrain
Finish: Bright
 Suitable for regular wastes

Code	Master Carton Dims (cm)	PCS/ Box	PCS/ Pallet
YM-QD	38x29x34	100	4800



3 1/2 Waste Bowl Plug

Model: Pop-up - QuickDrain
Finish: Bright
 Suitable for regular wastes

Code	Master Carton Dims (cm)	PCS/ Box	PCS/ Pallet
YM-QD-P	38x29x34	100	4800



3 1/2 Waste Bowl Plug

Model: AquaDrop
Finish: Bright
 Suitable for regular wastes

Code	Master Carton Dims (cm)	PCS/ Box	PCS/ Pallet
YM-00249	38x29x34	100	4800



3 1/2 Waste Bowl Plug

Model: Pop-up - AquaDrop
 Suitable for pop-up wastes

Code	Master Carton Dims (cm)	PCS/ Box	PCS/ Pallet
YM-00249-P	38x29x34	100	4800



3 1/2 Waste Bowl Plastic Plug

Model: PolyGuard/D
Finish: Bright
 Suitable for regular wastes

Code	Master Carton Dims (cm)	PCS/ Box	PCS/ Pallet
YM-00502	38x29x34	100	4800



3 1/2 Waste Bowl Plug

Model: Pop-up PolyGuard/D
 Suitable for pop-up wastes

Code	Master Carton Dims (cm)	PCS/ Box	PCS/ Pallet
YM-00502-P	38x29x34	100	4800



3 1/2 Waste Bowl Plastic Plug

Model: PolyGuard/H
Finish: Bright
 Suitable for regular wastes

Code	Master Carton Dims (cm)	PCS/ Box	PCS/ Pallet
YM-00503	38x29x34	100	4800



3 1/2 Waste Bowl Plug

Model: Pop-up - PolyGuard/H
 Suitable for pop-up wastes

Code	Master Carton Dims (cm)	PCS/ Box	PCS/ Pallet
YM-00503-P	38x29x34	100	4800

ACCESSORIES



3 1/2 Waste Bowl Drain Cover

Finish: Round Satin
Suitable for regular wastes

Code	Master Carton Dims (cm)	PCS/ Box	PCS/ Pallet
MM-0333	38x29x34	100	4800



Tap Hole Plug

Hole: max. Ø37 mm

Code	Master Carton Dims (cm)	PCS/ Box	PCS/ Pallet
YM-00234	29X19X17	150	19200



1 1/2 Waste Bowl Plug

Model: Handle
Suitable for regular wastes

Code	Master Carton Dims (cm)	PCS/ Box	PCS/ Pallet
YM-00362	29X19X17	150	19200



Round Overflow Cover

Model: 3 & 4 Stripe
Suitable for round overflows
Sink hole: Ø27-32 mm

Code	Master Carton Dims (cm)	PCS/ Box	PCS/ Pallet
YM-00245	29X19X17	150	19200



1 1/2 Waste Bowl Plug

Model: Chain
Suitable for regular wastes

Code	Master Carton Dims (cm)	PCS/ Box	PCS/ Pallet
YM-00363	29X19X17	100	12800



Round Overflow Cover

Model: 3 & 4 Stripe
Suitable for round overflows
Sink hole: Ø27-32 mm

Code	Master Carton Dims (cm)	PCS/ Box	PCS/ Pallet
YM-00246	29X19X17	150	19200



Pop-up Switch Cover

Model: Handle
Finish: Satin
Suitable for regular pop-upwastes

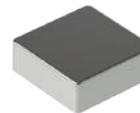
Code	Master Carton Dims (cm)	PCS/ Box	PCS/ Pallet
YM-00334	29X19X17	150	19200



Round Overflow Cover

Model: Elliptic & Round
Suitable for round overflows
Sink hole: Ø29-32 mm

Code	Master Carton Dims (cm)	PCS/ Box	PCS/ Pallet
YM-00494	29X19X17	125	16000



Pop-up Switch Cover

Model: Square
Finish: Chrome coated
Suitable for regular pop-upwastes

Code	Master Carton Dims (cm)	PCS/ Box	PCS/ Pallet
YM-00335	29X19X17	150	19200



Round Overflow Cover

Model: Elliptic & Round
Suitable for round overflows
Sink hole: Ø29-32 mm

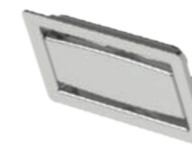
Code	Master Carton Dims (cm)	PCS/ Box	PCS/ Pallet
YM-00498	29X19X17	125	16000



Pop-up Switch Cover

Model: Classic
Finish: Chrome coated
Suitable for regular pop-upwastes

Code	Master Carton Dims (cm)	PCS/ Box	PCS/ Pallet
YM-00336	29X19X17	150	19200



Rectangular Overflow Cover

Model: Elliptic & Round
Suitable for round overflows
Sink hole: Ø29-32 mm

Code	Master Carton Dims (cm)	PCS/ Box	PCS/ Pallet
YM-00499	29X19X17	100	12800

ACCESSORIES



M5X13,5, M5X22,5 Round

Stainless Steel Screw
Suitable for stainless steel,
composite & ceramic sinks

Code	Master Carton Dims (cm)	PCS/ Box	PCS/ Pallet
YM-00401	29x19x17	5000	640000



Round Stainless Steel Screw

Suitable for stainless steel,
composite & ceramic sinks

Code	Master Carton Dims (cm)	PCS/ Box	PCS/ Pallet
YM-00009	29x19x17	5000	640000



M5X9, M5X13,5, M5X22,5 Oval

Stainless Steel Screw
Suitable for stainless steel,
composite & ceramic sinks

Code	Master Carton Dims (cm)	PCS/ Box	PCS/ Pallet
YM-00403	29x19x17	5000	640000



M5X13,5, M5X22,5 Oval

Stainless Steel Screw
Suitable for stainless steel,
composite & ceramic sinks

Code	Master Carton Dims (cm)	PCS/ Box	PCS/ Pallet
YM-00405	29x19x17	5000	640000



M5X21 Pop-up Eco

Stainless
Steel Pin & Nut

Code	Master Carton Dims (cm)	PCS/ Box	PCS/ Pallet
YM-00500	29x19x17	5000	640000



M4X14 Pop-up Lux Pin

Stainless
Steel & O-ring

Code	Master Carton Dims (cm)	PCS/ Box	PCS/ Pallet
YM-00501	29x19x17	5000	640000



3 1/2 Waste Bowl 15 mm

Stainless Steel Screw
Suitable for stainless steel
sinks

Code	Master Carton Dims (cm)	PCS/ Box	PCS/ Pallet
YRD-00151	29x19x17	300	64000



3 1/2 Waste Bowl 20mm

Stainless Steel Screw
Suitable for stainless steel
sinks

Code	Master Carton Dims (cm)	PCS/ Box	PCS/ Pallet
YRD-00004	29x19x17	400	31200



3 1/2 Waste Bowl 35 mm

Stainless Steel Screw
Suitable for stainless steel,
composite & ceramic sinks

Code	Master Carton Dims (cm)	PCS/ Box	PCS/ Pallet
YRD-00005	29x19x17	300	35400



3 1/2 Waste Bowl 70mm

Stainless Steel Screw
Suitable for stainless steel,
composite & ceramic sinks

Code	Master Carton Dims (cm)	PCS/ Box	PCS/ Pallet
YRD-00217	29x19x17	200	251000



3 1/2 Waste Bowl 50 mm

Plastic Screw Suitable for
stainless steel, composite &
ceramic sinks

Code	Master Carton Dims (cm)	PCS/ Box	PCS/ Pallet
YRD-00018	29x19x17	250	32000



1 1/2 Waste Bowl

Stainless Steel Screw
Suitable for stainless steel,
composite & ceramic sinks

Code	Master Carton Dims (cm)	PCS/ Box	PCS/ Pallet
YRD-00008	29x19x17	1000	128000

ACCESSORIES



Ø21 mm
Overflow pipe for overflow
Length: 25 - 35 - 50 mm options

Code	Master Carton Dims (cm)	PCS/Box	PCS/Pallet
YRD-00001 YRD-00025 YRD-00017	38X25X34	125	6000



Ø24 mm
Compressible hose for overflow
Length: 150-320 mm

Code	Master Carton Dims (cm)	PCS/Box	PCS/Pallet
YRD-00015	38X25X34	125	6000



Compressible Hose
Inlet: G1½"
Outlet: DN40
Length: 300-700 mm

Code	Master Carton Dims (cm)	PCS/Box	PCS/Pallet
YRD-00002	38X20X34	40	5120



Overflow connector for rectangular model

Code	Master Carton Dims (cm)	PCS/Box	PCS/Pallet
YM-00472	38X25X34	60	2880



T connection pipe with 3x G1½" outlet
Length: 50 mm
Width: 95 mm

Code	Master Carton Dims (cm)	PCS/Box	PCS/Pallet
YM-00302	38X29X34	50	2400



T connection pipe with 3x G1½" outlet
Length: 135 mm
Width: 125 mm

Code	Master Carton Dims (cm)	PCS/Box	PCS/Pallet
YM-00347	38X29X34	40	1920



T connection pipe with 3x G1½" outlet
Length: 180 mm
Width: 125 mm

Code	Master Carton Dims (cm)	PCS/Box	PCS/Pallet
YM-00348	38X29X34	30	1440



Dishwasher connection
Ø40 mm outlet
Ø40 mm flat rubber gasket
G1½" nut
Height: 150 mm

Code	Master Carton Dims (cm)	PCS/Box	PCS/Pallet
YM-00301	38X29X34	50	2400



Ø40 mm extension pipe
Length: 160 mm

Code	Master Carton Dims (cm)	PCS/Box	PCS/Pallet
YM-00349	38X29X34	60	2880



Ø40 mm extension pipe
Ø40 mm outlet
Ø40 mm flat rubber gasket
G1½" nut
Height: 125 mm

Code	Master Carton Dims (cm)	PCS/Box	PCS/Pallet
YM-00303	38X29X34	50	2400



Elbow Pipe connection
2 x G1½" threaded elbow pipe

Code	Master Carton Dims (cm)	PCS/Box	PCS/Pallet
YM-00473	38X29X34	60	2880



Elbow Pipe connection
Ø40 mm outlet
G1½" threaded elbow pipe

Code	Master Carton Dims (cm)	PCS/Box	PCS/Pallet
YM-00474	38X29X34	60	2880



Ø40 mm smooth elbow pipe
Length: 90 mm

Code	Master Carton Dims (cm)	PCS/Box	PCS/Pallet
YM-00300	38X29X34	60	2880



Ø40 mm smooth elbow pipe
Length: 225 mm

Code	Master Carton Dims (cm)	PCS/Box	PCS/Pallet
YM-00299	38X29X34	30	1440

ACCESSORIES



90° Elbow pipe
Ø40 mm outlet
Length: 275 mm
 Ø40 mm flat rubber gasket
 G1½" nut

Code	Master Carton Dims (cm)	PCS/ Box	PCS/ Pallet
YM-00305	38X29X34	30	1440



3½" rubber gasket

Code	Master Carton Dims (cm)	PCS/ Box	PCS/ Pallet
YM-00335	29X19X17	200	25600



45° Elbow pipe
Ø40 mm outlet
Length: 170 mm
 Ø40 mm flat rubber gasket
 G1½" nut

Code	Master Carton Dims (cm)	PCS/ Box	PCS/ Pallet
YM-00298	38X29X34	40	1920



1½" rubber gasket

Code	Master Carton Dims (cm)	PCS/ Box	PCS/ Pallet
YM-00353	29X19X17	300	38400



2 x G1½" Threaded connection pipe with Ø40 mm outlet proper with dishwasher connection

Code	Master Carton Dims (cm)	PCS/ Box	PCS/ Pallet
YM-00306	38X25X34	30	1440



1½" mm rubber gasket

Code	Master Carton Dims (cm)	PCS/ Box	PCS/ Pallet
YM-00366	29X19X17	500	6400



G1" Overflow Nut

Code	Master Carton Dims (cm)	PCS/ Box	PCS/ Pallet
YM-00315	29X19X18	400	51200



Conical gasket for G1½" Nuts

Code	Master Carton Dims (cm)	PCS/ Box	PCS/ Pallet
YM-00352	29X19X17	500	6400



G1½" Nut complying with EN 274 standard

Code	Master Carton Dims (cm)	PCS/ Box	PCS/ Pallet
YM-00314	29X19X17	200	25600



G1" Nut Conical gasket for overflow spiral

Code	Master Carton Dims (cm)	PCS/ Box	PCS/ Pallet
YM-00354	29X19X17	500	6400



Dishwasher Cover Suitable for regular pipe outlet

Code	Master Carton Dims (cm)	PCS/ Box	PCS/ Pallet
YM-00307	29X19X17	150	19200



G1" Nut Conical gasket for rigid and compressible overflow

Code	Master Carton Dims (cm)	PCS/ Box	PCS/ Pallet
YM-00364	29X19X17	500	6400



Sealing Cover Suitable for regular pipe outlet

Code	Master Carton Dims (cm)	PCS/ Box	PCS/ Pallet
YM-00309	29X19X17	400	51200





Ø40 mm flat gasket, 3.5 mm thick


Code	Master Carton Dims (cm)	PCS/ Box	PCS/ Pallet
YM-00365	29X19X17	500	6400

— Contact Us

Headquarters

 Sa?libosna Mah. Haraççı-Hadımköy Yolu Cad.
No:202/1 34555 Arnavutköy, Istanbul Turkey

 info@direncplastik.com

 +90 212 628 20 61